



Jær Museum. Stavanger, Norway. Architect: Einar Myklebust, Lars Hallgren, Thomas Hellison & Arne Tveit. Photo: Bent Ryberg/Planet

Weblink
2116

Design
Jens Møller-Jensen

Concept
Planet Wall provides general illumination. The design of the two reflector rings ensures the majority of the light is being directed downwards. The anti-glare ring shields the lamp from direct view.

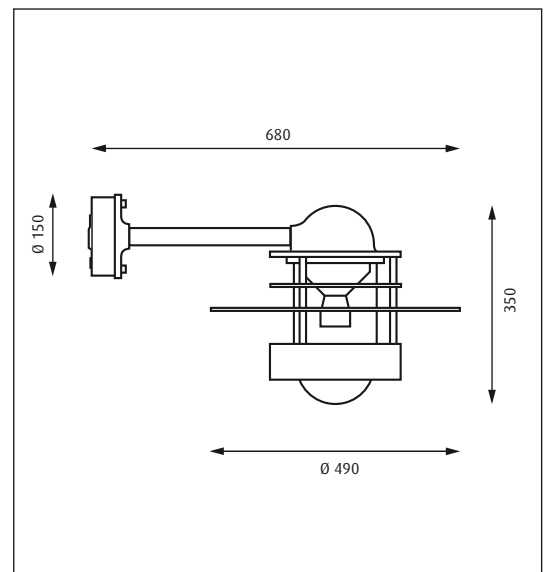
Finish
Aluminium coloured or white, powder coated.

Material
Enclosure: Injection moulded partly frosted acrylic or injection moulded partly frosted polycarbonate. Saturn ring: Punched aluminium. Anti glare ring: Spun aluminium. Top: Die cast aluminium. Wall box: Die cast aluminium. Arm: Extruded aluminium.

Mounting
Terminal block: 1x3x2.5mm². Cable entries: 2x bottom + 2x rear entries for Ø 10-14.5mm cable. Looping: Approved, max. 3x1,5mm².

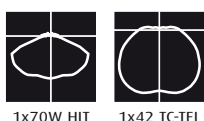
Weight
Max. 7kg.

Class
Ingress protection IP44. Electric shock protection I w. ground. ⚡



Product code	Light source	Finish	Class	Shield/Diffuser
PLAN-W	1x42W TC-TEL GX24q-4 HF 1x70W HI-C E27 Conv.	WHT ALU COL	I	PART FROSTED

Info notes:
The control gear is placed in the fixture head. TC-TEL and HIT versions are supplied with partly frosted diffuser to avoid undesirable glare. The TC-TEL version has got acrylic diffuser. The HIT version has got polycarbonate diffuser due to high temperature.



1x70W HIT 1x42 TC-TEL



Page 174 Page 194