



Louis Poulsen Lighting A/S Factory, Vejen, Denmark. Architect: Bjarne Frost. Lighting designer: Louis Poulsen Lighting A/S. Photo: Kaslov Studio

**Weblink**  
1507

**Design**  
David Morgan Associates

**Concept**  
SPR10 is a compact projector for architectural and smaller scale applications. Available in fixed conical reflectors of narrow spot 8°, medium 30° and flood 70°.

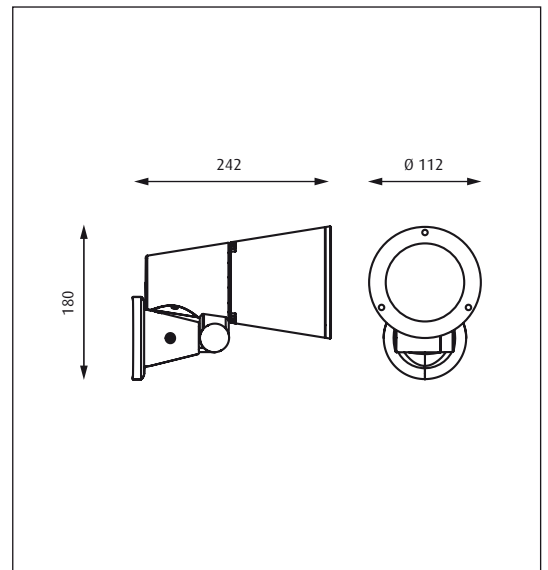
**Finish**  
Black textured. Aluminium colour textured, powder coated.

**Material**  
Glass: Toughened clear glass. Front plate: High pressure die cast LM6 aluminium. Base: Marine grade 316 stainless steel. Housing: High pressure die cast LM6 aluminium.

**Mounting**  
Installation: Mounting plate for fixing direct to hard surfaces, earthspike or pole top adaptor. Can be tilted vertically through 100°. Terminal block: 1x3x4mm<sup>2</sup>. Cable entries: 1x PG11 IP68 gland for Ø 5-10mm cable.

**Weight**  
Max. 4kg.

**Class**  
Ingress protection IP66. Electric shock protection I w. ground.



Product code	Light source	Finish	Reflector
SPR10-SP	1x20W HIT-CRI G8.5 HF 1x35/50/100W QT-ax 12 Clear	ALU COL TEXT BLK TEXT	8° 30° 70°

Info notes:  
Paint specification: Aluminium - Trimite AE/26 0,(nearest RAL 9006). Black - RAL 9005.

