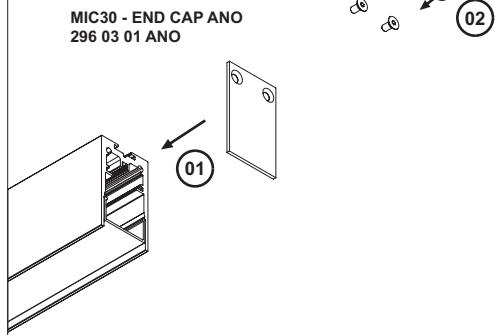
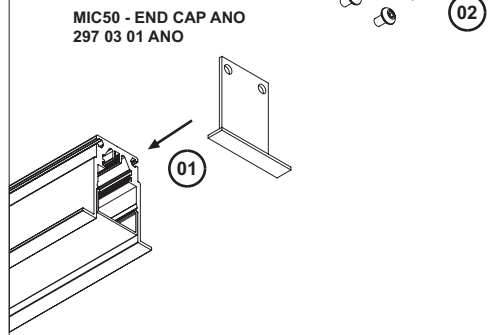


1 MIC30 LED / MIC50 LED - END CAP

MICROLINE 30 LED INSTALLATION INSTRUCTIONS
01. PLACE END CAP
02. FASTEN SCREWS

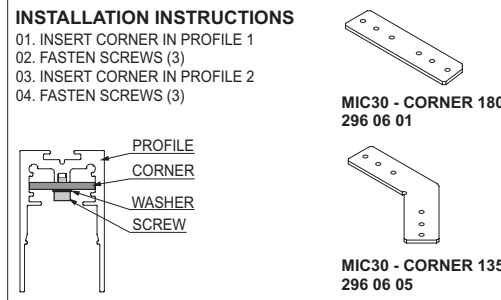


MICROLINE 50 LED INSTALLATION INSTRUCTIONS
01. PLACE END CAP
02. FASTEN SCREWS

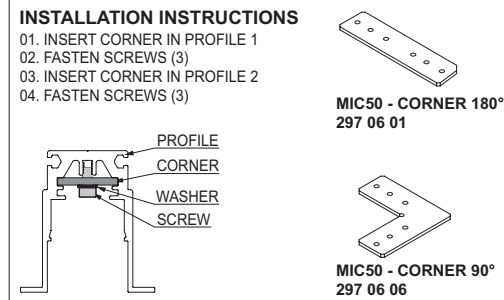


2 MIC30 LED / MIC50 LED - CORNERS

MICROLINE 30 LED
EXAMPLE: CORNER 90°
01. INSERT CORNER IN PROFILE 1
02. FASTEN SCREWS (3)
03. INSERT CORNER IN PROFILE 2
04. FASTEN SCREWS (3)

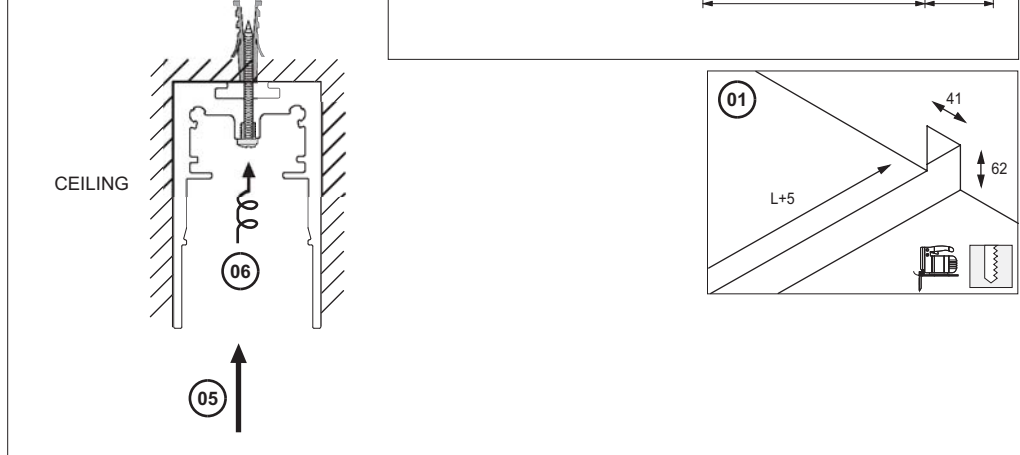


MICROLINE 50 LED
EXAMPLE: CORNER 135°
01. INSERT CORNER IN PROFILE 1
02. FASTEN SCREWS (3)
03. INSERT CORNER IN PROFILE 2
04. FASTEN SCREWS (3)

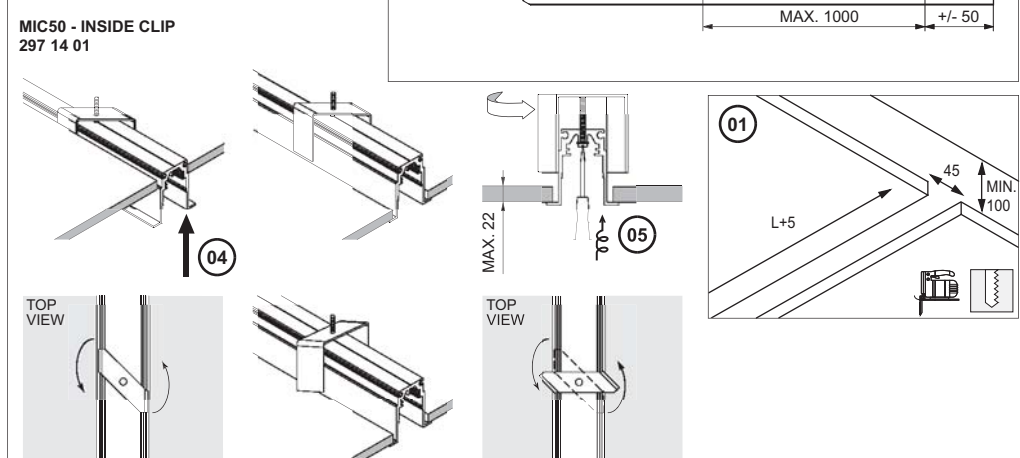


5 MIC30 LED / MIC50 LED - RECESSED FIXATION

MICROLINE 30 LED
INSTALLATION INSTRUCTIONS
01. MAKE HOLE IN CEILING
02. DRILL HOLES IN PROFILE FOR FIXATION
03. DRILL HOLE(S) IN PROFILE FOR CABLE INPUT
04. DRILL HOLES IN CEILING
05. PLACE PROFILE
06. FASTEN SCREWS

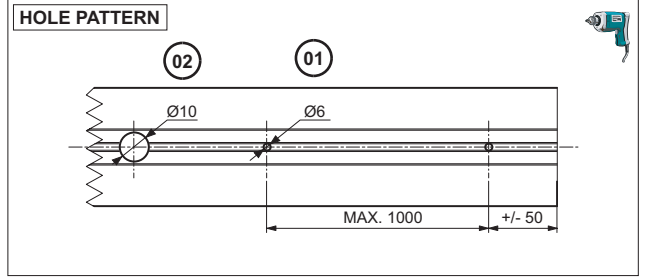
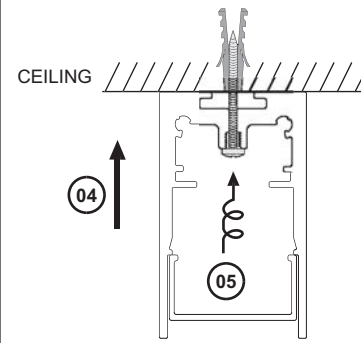


MICROLINE 50 LED
INSTALLATION INSTRUCTIONS
01. MAKE HOLE IN CEILING
02. DRILL HOLES IN PROFILE FOR INSIDE CLIP
03. DRILL HOLE(S) IN PROFILE FOR CABLE INPUT
04. PLACE PROFILE
06. FASTEN SCREWS



3 MIC30 LED - DIRECT FIXATION

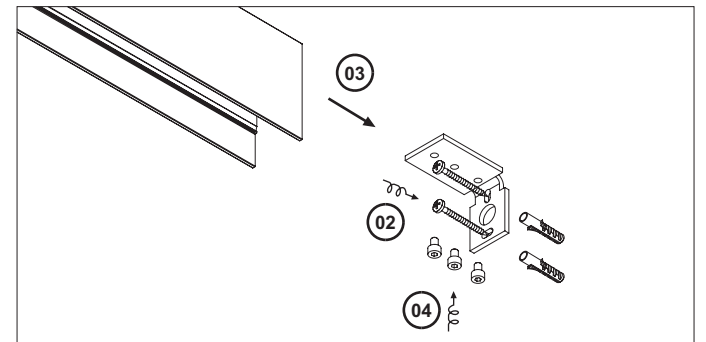
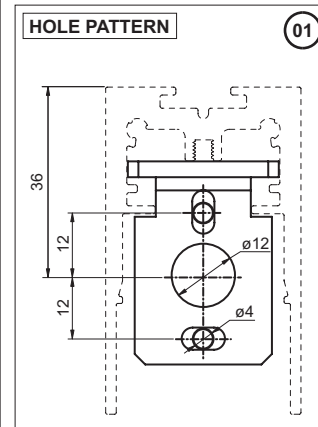
INSTALLATION INSTRUCTIONS
01. DRILL HOLES IN PROFILE FOR FIXATION
02. DRILL HOLE(S) IN PROFILE FOR CABLE INPUT
03. DRILL HOLES IN CEILING
04. PLACE PROFILE
05. FASTEN SCREWS



4 MIC30 LED - WALL FIXATION

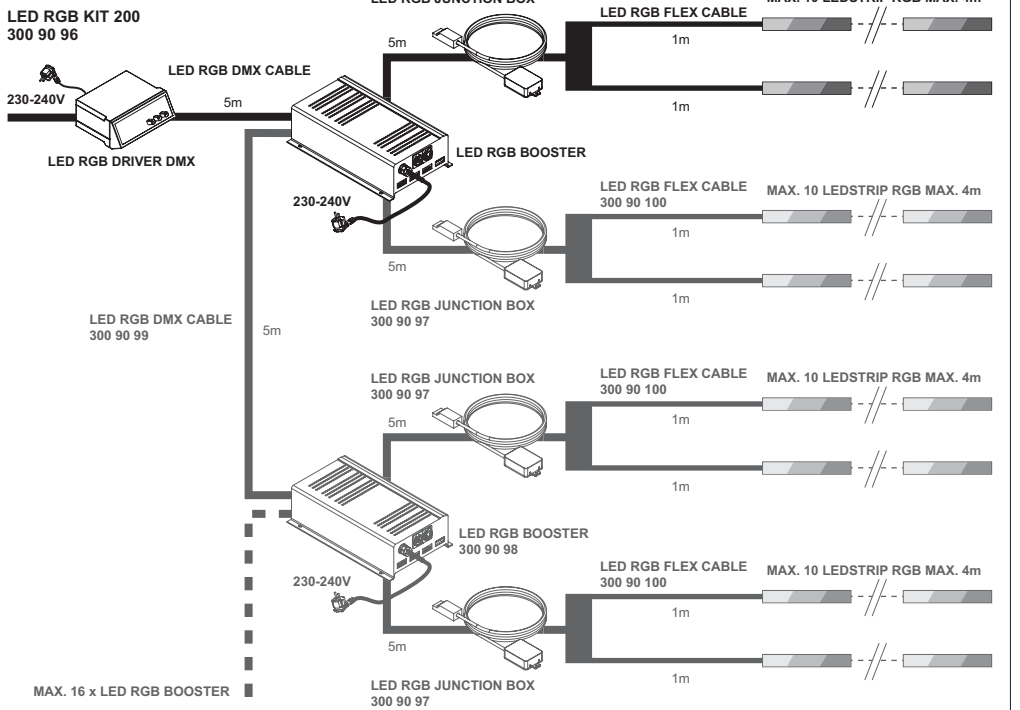
INSTALLATION INSTRUCTIONS
01. MAKE HOLE PATTERN
02. PLACE WALL FIXATION ON WALL
03. PLACE PROFILE
04. FASTEN SCREWS

MIC30 - WALL FIXATION 90°
296 06 10

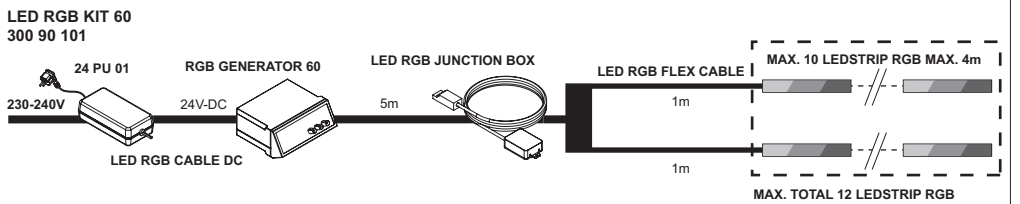


6 MIC30 LED / MIC50 LED - INSTALLATION SCHEME

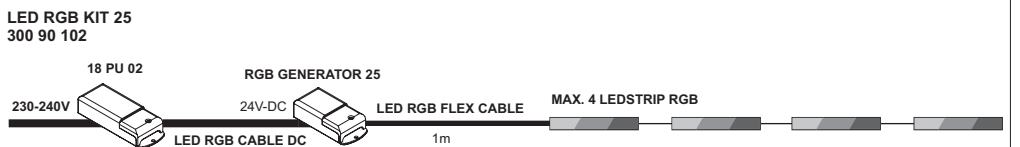
LED RGB KIT 200



LED RGB KIT 60



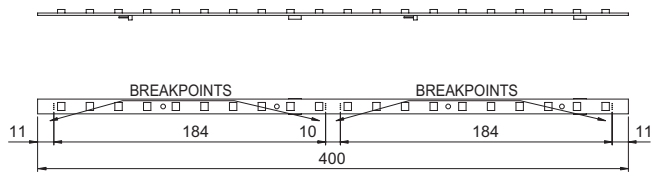
LED RGB KIT 25



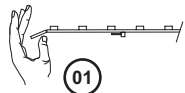
7 MIC30 LED / MIC50 LED - LEDSTRIPS

LEDSTRIP RGB

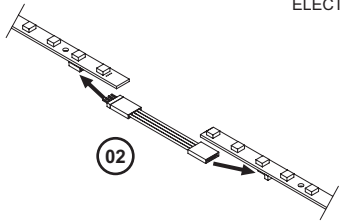
LEDSTRIP RGB 1 / 40cm
300 91 33 01



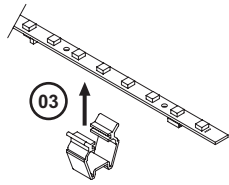
ELECTRICAL CONNECTION



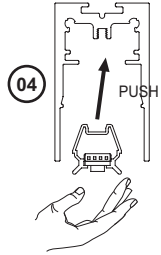
01



02



03



04

WARNING
DO NOT DAMAGE THE
ELECTRICAL COMPONENTS

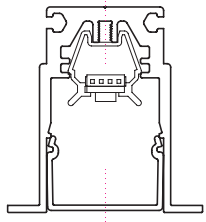
INSTALLATION INSTRUCTIONS

01. ADJUST LENGTH OF STRIP(S) (IF NECESSARY)
02. MAKE ELECTRICAL CONNECTION(S)
03. PLACE CLIPS ON STRIP(S)
04. PLACE STRIP(S) IN PROFILE

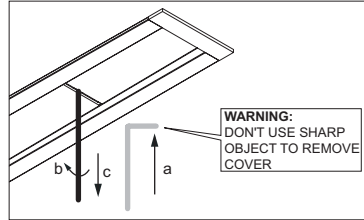
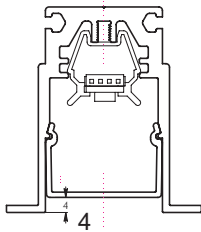
8 MIC30 / MIC50 - INSERT/REMOVE PC

EXAMPLE: MIC50 LED

WRONG

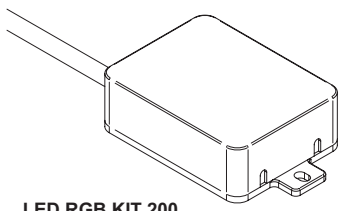


GOOD



WARNING:
DON'T USE SHARP
OBJECT TO REMOVE
COVER

10 MIC30 / MIC50 CONNECTION TO JUNCTIONBOX



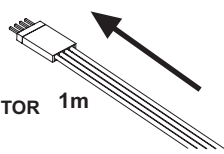
LED RGB KIT 200
300 90 96

LED RGB KIT 60
300 90 101

CONNECT RED PIN/CABLE
TO THE + SIDE OF THE CONNECTOR



TO LED RGB KIT
(OPTIONAL)

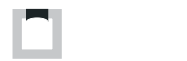


1m

MICROLINE 30 LED



MICROLINE 50 LED



MIC30 LED - PROFILE ANO
296 00 06 ANO

MAX. L / PROFILE : 6m
± 1,8 Kg / m

MIC50 LED - PROFILE ANO
297 00 06 ANO

MAX. L / PROFILE : 6m
± 1,8 Kg / m

DEEL
PARTIE
TEIL
PART
PARTE

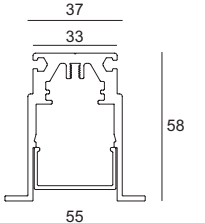
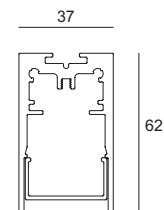


DELTA LIGHT

Delta Light® nv.
Muizelstraat 2
B- 8560 Wevelgem (Moorsele)
Belgium
Phone: +32(0)56 435 735
Fax: +32(0)56 435 736
E-mail: enter@deltalight.com
www.deltalight.com

MIC30 LED - PROFILE

MIC50 LED - PROFILE



11 MIC30 / MIC50 - CLEANING

CLEANING

THE LUMINAIRE MUST BE SWITCHED-OFF AND COOL BEFORE BEING CLEANED.
CLEANING OF LUMINAIRES: A DAMPENED SOFT CLOTH IS TO BE USED.
CLEANING OF PLASTICS: USE A SOFT CLOTH AND A STANDARD pH-NEUTRAL, ALCOHOL FREE NON-SCOURING DETERGENT.
CLEANING OF REFLECTORS: USE A SOFT CLOTH AND A STANDARD pH-NEUTRAL, ALCOHOL FREE NON-SCOURING DETERGENT.

WAARSCHUWING

AVERTISSEMENT

WARNING

AMMONIZIONE

EDVERTENCIA

Lees de algemene gebruiksvoorwaarden : **DEEL B**

Lire attentivement les conditions générales d'utilisation : **PARTIE B**

Lesen Sie die allgemeinen Gebrauchsanweisungen : **TEIL B**

Read the general directions : **PART B**

Leggere attentamente le condizioni generali di utilizzazione : **PARTE B**

Leer atentamente las condiciones generales de uso : **PARTE B**



Installeer het armatuur enkel in ruimten waar direct contact met water onmogelijk is.

Cet équipement doit être installé dans des pièces hors de toute projection d'eau.

Diese Leuchte darf nur in Räumen verwendet werden, in denen ein direkter Kontakt mit Wasser nicht möglich ist.

This fitting should only be installed in rooms where direct contact with water is impossible.

Este aparato solamente puede ser instalado en habitaciones donde el contacto directo con el agua sea imposible.

Questo apparecchio di illuminazione deve essere installato solamente in locali in cui il contatto con l'acqua è impossibile.



Bevestiging plafond inbouw

Montage plafond encastré

Montage decke eingebaut

Fixation ceiling recessed

Montaje techo empotrado

Montaggio soffitto incasso



Bevestiging plafond opbouw

Montage plafond appliqué

Montage decke aufgebaut

Fixation ceiling surface mounted

Montaje techo montado al superficie

Montaggio soffitto montato a superficie



Bevestiging plafond gependeld

Montage plafond suspendu

Montage decke gependelt

Fixation ceiling suspended

Montaje techo suspendido

Montaggio soffitto sospeso