

BILICO IS A WALL LAMP CONCEIVED BY THE CREATIVE INSPIRATION OF THE ESTEEMED VENETIAN ARTIST FEDERICA MARANGONI. A LUMINOUS SPHERE IN BLOWN WHITE GLASS SEEMS TO LEAN IN "BALANCE" ON AN ALUMINIUM TRAJECTORY THAT INTENSELY REFRACTS THE LUMINOUS FLOW; THE ADJUSTABLE SCREEN ALLOWS FOR THE ATTAINMENT OF DIFFERENT CONFIGURATION AND ILLUMINATION EFFECTS.

marangoni_bilico

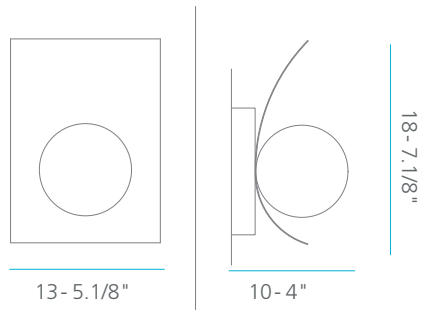


P_PL13  1x40W - G9

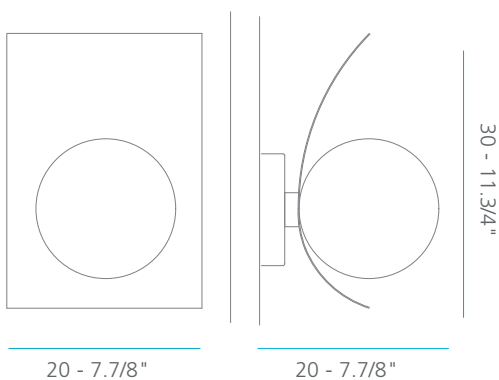
P_PL20  1x75W - G9

P_PL30  1x75W - G9

P_PL13



P_PL20



P_PL30

