

SANIDUSCH

- a classic among shower trays
- modern, clear design
- available in rectangular or square design
- made of Kaldewei steel enamel 3.5 mm

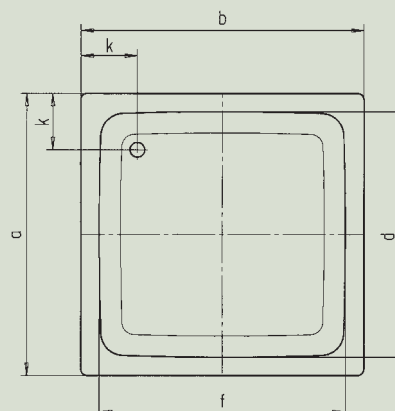
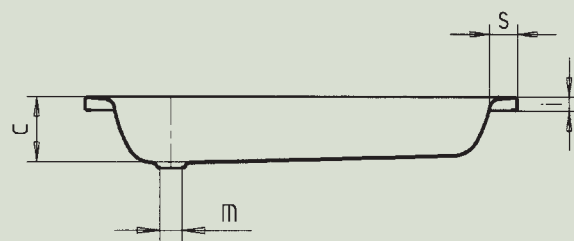


Illustration shows Model 397

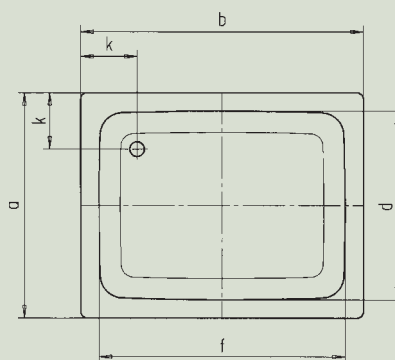


Illustration shows Model 550

Model no.		540	548	395	541	539	549	551	396	550	397	552
External length	a	700	750	800	700	700	750	800	900	800	1000	800 mm
External width	b	750	800	800	850	900	900	900	900	1000	1000	1200 mm
Depth	c	140	140	140	140	140	140	140	140	140	140	140 mm
Internal length	d	620	620	670	620	570	620	670	770	670	870	670 mm
Internal width	f	670	670	670	770	770	770	770	770	870	870	1070 mm
Height of rim	i	32	32	32	32	32	32	32	32	32	32	32 mm
Distance tray edge to centre of drain hole	k	175	200	200	175	200	200	200	200	200	200	200 mm
Diameter of drain hole	m	52	52	52	52	52	52	52	52	52	52	52 mm
Width of rim	s	40	65	65	40	65	65	65	65	65	65	65 mm
Weight of the enamelled shower tray in kg		19	21	22	21	22	23	24	27	27	31	30
Anti-slip		Ø 288	Ø 435	Ø 288	Ø 435	Ø 435	Ø 435	Ø 435	Ø 435	Ø 435	Ø 587	Ø 435 mm

Subject to technical alterations and tolerances.

KALDEWEI
Europe's No. 1 for baths