

Features

- Vitreous china
- Elongated bowl
- Comfort Height®
- Class Five® flushing system
- Available with KOHLER Artist Editions designs
- Includes polished chrome trip lever, seat and cover
- Less supply
- 12" (305 mm) rough-in
- 1.6 gpf (6 lpf) or 1.4 gpf (5.3 lpf)
- 2-1/8" (54 mm) glazed trapway
- 11" (279 mm) x 8-1/2" (216 mm) water area
- 28-1/4" (718 mm) x 18-1/2" (470 mm) x 28" (711 mm)

COMFORT HEIGHT® TOILET K-3513 ALSO K-3513-RA

ADA | CSA B651 | OBC



Codes/Standards Applicable

Specified model meets or exceeds the following:

- ADA
- ICC/ANSI A117.1
- CSA B651
- OBC
- ASME A112.19.2/CSA B45.1
- Energy Policy Act of 1992

Colors/Finishes

- 0: White
- Other: Refer to Price Book for additional colors/finishes

Accessories

- CP: Polished Chrome
- PB: Vibrant® Polished Brass
- Other: Refer to Price Book for additional colors/finishes

Specified Model

Model	Description	Trip Lever	Colors/Finishes	
K-3513	Comfort Height toilet	left-hand	<input type="checkbox"/> 0	<input type="checkbox"/> Other _____
K-3513-RA	Comfort Height toilet	right-hand	<input type="checkbox"/> 0	<input type="checkbox"/> Other _____

Recommended Accessories				
K-7637	Angle supply with stop		<input type="checkbox"/> CP	<input type="checkbox"/> PB <input type="checkbox"/> Other _____
K-4650	Lustra™ open front toilet seat – for Accessibility compliance	<input type="checkbox"/> 0		<input type="checkbox"/> Other _____

Product Specification

The one-piece elongated bowl toilet shall be made of vitreous china. Toilet shall be 28-1/4" (718 mm) in length, 18-1/2" (470 mm) in width, and 28" (711 mm) in height. Toilet shall have an 11" (279 mm) x 8-1/2" (216 mm) water area. Toilet shall be Comfort Height. Toilet shall be 12" (305 mm) rough-in with a 2-1/8" (54 mm) glazed trapway. Toilet shall have a Class Five flushing system with a flush rate of 1.6 gpf (6 lpf) or 1.4 gpf (5.31 lpf). Toilet shall include seat, cover, and trip lever. Toilet shall be less supply. Toilet shall be available with KOHLER Artist Editions designs. Toilet shall be Kohler Model K-3513-_____ .

GABRIELLE™

Technical Information

Optional Accessories			
K-9483-L	Left-hand trip lever – non-CP	<input type="checkbox"/> PB	<input type="checkbox"/> Other_____
K-9483-R	Right-hand trip lever – non-CP	<input type="checkbox"/> PB	<input type="checkbox"/> Other_____

Fixture:	
Configuration	one-piece, elongated
Water per flush	1.6 gal (6 L) or 1.4 gal (5.3 L)
Passageway	2-1/8" (54 mm)
Water area	11" (279 mm) x 8-1/2" (216 mm)
Water depth from rim	6" (152 mm)
Seat post hole centers	5-1/2" (140 mm)

Included components:	
Seat	K-4713
Tank cover	85407
Left-hand trip lever OR	1068627
Right-hand trip lever	1080378
Tank accessory pack	52265

Included components:	
Bolt cap accessory pack	52048

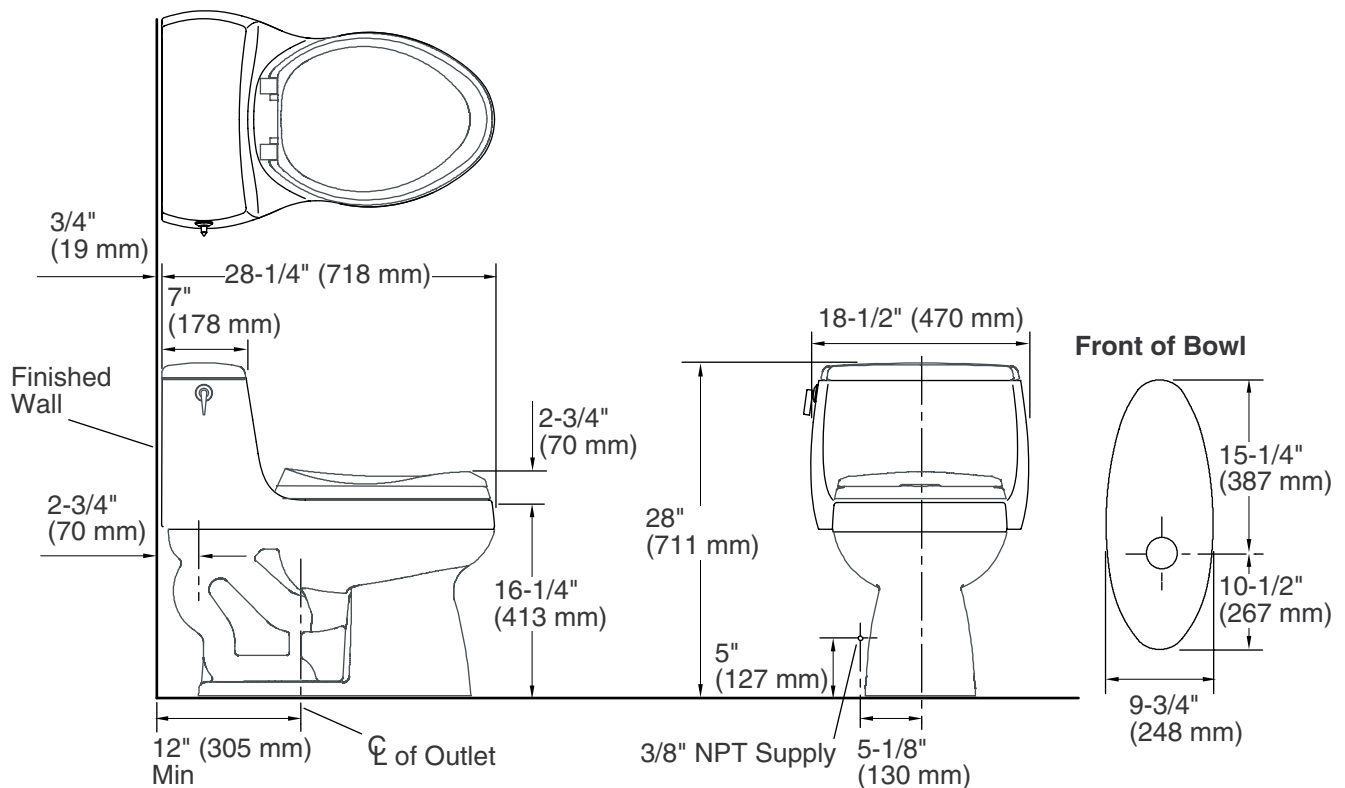
Installation Notes

Install this product according to the installation guide.

Will comply with the American Disabilities Act (**ADA**) when installed per the requirements of the Accessibility Guidelines, Section 604 Water Closets, of the Act, which include the installation of an open front seat.

Will comply with **CSA B651** when installed per Clause 4.3.6 of the standard.

Will comply with **OBC** Barrier Free requirements when installed per Clause 3.8.3.8 and 3.8.3.9.



Product Diagram