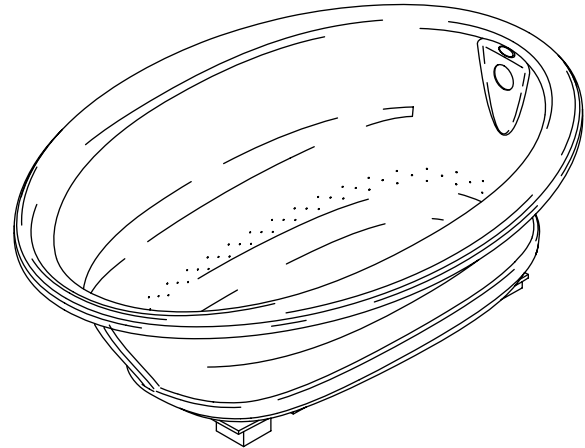


BUBBLEMASSAGE™ BATH K-1162-G

Features

- Acrylic
- Oval shape
- Drop-in
- 120 BubbleMassage™ airjets
- Blower motor with 300 W heater and electronic back-lit user control
- Blower motor is supplied with a grounding-type plug-in cord
- Molded lumbar supports and armrests
- 60" (152.4 cm) x 42" (106.7 cm) x 21" (53.3 cm)



Codes/Standards Applicable

Specified model meets or exceeds the following:

- ANSI Z124.1.2
- IAPMO/UPC IGC 171
- Underwriters Laboratories (UL)

Colors/Finishes

- 0: White
- Other: Refer to Price Book for additional colors/finishes

Accessories

- CP: Polished Chrome
- PB: Vibrant® Polished Brass
- NA: None applicable

Specified Model

Model	Description	Colors/Finishes		
K-1162-G	Bubblemassage bath	<input type="checkbox"/> 0	<input type="checkbox"/> Other_____	
Recommended Accessories				
K-576	Undermount kit	<input type="checkbox"/> NA		
K-11677	Swiftflo™ adjustable trip lever drain		<input type="checkbox"/> CP	<input type="checkbox"/> PB

Product Specification

The acrylic drop-in bath shall be 60" (152.4 cm) in length, 42" (106.7 cm) in width, and 21" (53.3 cm) in height. Bath shall have a blower motor with 300 W heater and an electronic back-lit user control. The blower motor shall have a grounding-type plug-in cord. Bath shall feature an oval shape. Bath shall feature 120 BubbleMassage airjets and molded lumbar supports and armrests. Bath shall be Kohler Model K-1162-G-_____.

SUNWARD®

Technical Information

Fixture*:	
Bathing well	
Basin area bottom	43" (109.2 cm) x 24-5/8" (62.5 cm)
Basin area top	53-1/2" (135.9 cm) x 32-1/8" (81.6 cm)
Weight	110 lbs (50 kg)
To overflow	
Water depth	15" (38.1 cm)
Capacity	57 gal (215.9 L)
* Approximate measurements for comparison only.	

Included components:	
Cut-out template	1042556-7

Blower motor	Heater	V	Hz	A
	300 W	120	60	5
Minimum access panel blower motor:				
20" (50.8 cm) W x 15" (38.1 cm) H			required	

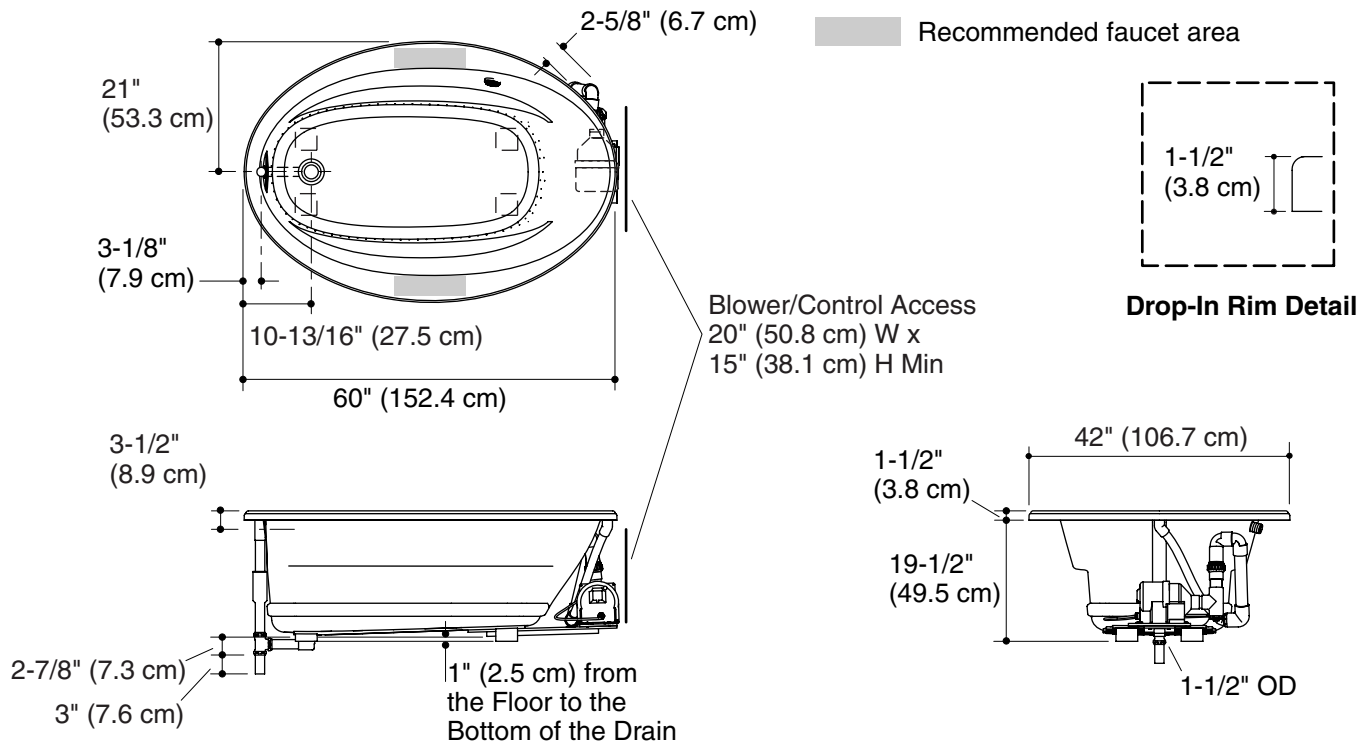
Required Electrical Service

Dedicated circuit required, protected with a Class A Ground-Fault Circuit-Interrupter (GFCI):	
Pump/control	120 V, 5 A, 60 Hz
Locate the outlet behind the bath and within 24" (61 cm) of the blower.	

Installation Notes

Install this product according to the installation guide.

Floor support under bath must provide for a minimum of 35 lbs/square foot (171 kg/square meter) loading.



Product Diagram