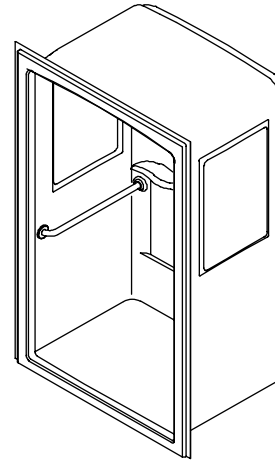


### Features

- Slip-resistant floor
- Molded-in floor pattern
- Nylon grab bars (-N), grey bars supplied with white and biscuit modules, white bars supplied with others
- Brushed stainless steel grab bars (-C)
- Polished stainless steel grab bars (-P)
- Acrylic
- Integral soap ledges
- "Pit" installation options detailed in instructions
- 44-3/8" (112.7 cm) x 37-3/8" (94.9 cm) x 81-9/16" (207.2 cm) inside finished dimensions
- 52" (132.1 cm) x 37-1/2" (95.3 cm) x 84" (213.4 cm) rough-in dimensions

## ONE-PIECE ACRYLIC BARRIER-FREE SHOWER MODULE K-12113



### Codes/Standards Applicable

Specified model meets or exceeds the following:

- ANSI Z124.2

### Colors/Finishes

- 0: White
- Other: Refer to Price Book for additional colors/finishes

### Accessories:

- CP: Polished Chrome
- PB: Polished Brass
- Other: Refer to Price Book for additional colors/finishes

### Specified Model

Model	Description	Colors/Finishes	
K-12113-N	Module with nylon grab bars	<input type="checkbox"/> 0 White	<input type="checkbox"/> Other _____
K-12113-C	Module with brushed stainless steel grab bars	<input type="checkbox"/> 0 White	<input type="checkbox"/> Other _____
K-12113-P	Module with polished stainless steel grab bars	<input type="checkbox"/> 0 White	<input type="checkbox"/> Other _____

Recommended Accessories				
K-9132	Shower drain	<input type="checkbox"/> CP	<input type="checkbox"/> PB	<input type="checkbox"/> Other _____

Optional Accessories				
K-1665	Dome light	<input type="checkbox"/> CP	<input type="checkbox"/> G	
Refer to Fixtures Price Book for shower door selections, glass options, and color information.				

### Product Specification:

The shower stall inside finished dimensions shall be 44-3/8" (112.7 cm) in length, 37-3/8" (94.9 cm) in width, and 81-9/16" (207.2 cm) in height. Shower stall rough-in dimensions shall be 52" (132.1 cm) in length, 37-1/2" (95.3 cm) in width, and 84" (213.4 cm) in height. Shower stall shall have a molded-in floor pattern and slip-resistant floor. Shower stall shall have nylon grab bars (-N), (grey bars supplied with White and Biscuit stalls, white bars supplied with others), brushed stainless steel grab bars (-C), or polished stainless steel grab bars and folding seat frame (-P). Shower stall shall be made of acrylic. Shower stall shall have integral soap ledges. "Pit" installation shall be detailed in instructions. Shower stall shall be Kohler Model K-\_\_\_\_\_.

# FREEWILL™

## Technical Information

Fixture:	200 lbs. (91 kg)
Configuration	1-piece
Drain hole	3-3/8" D. (8.6 cm)

## Installation Notes

Install this product according to the installation guide.

For increased accessibility, utilize "pit" installation as detailed in instructions.

For optimum accessibility, specify faucets and fittings to install and operate within the control area shown.

The fixture is not drilled for supply fittings.



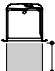

Shimming may be required to level the fixture.

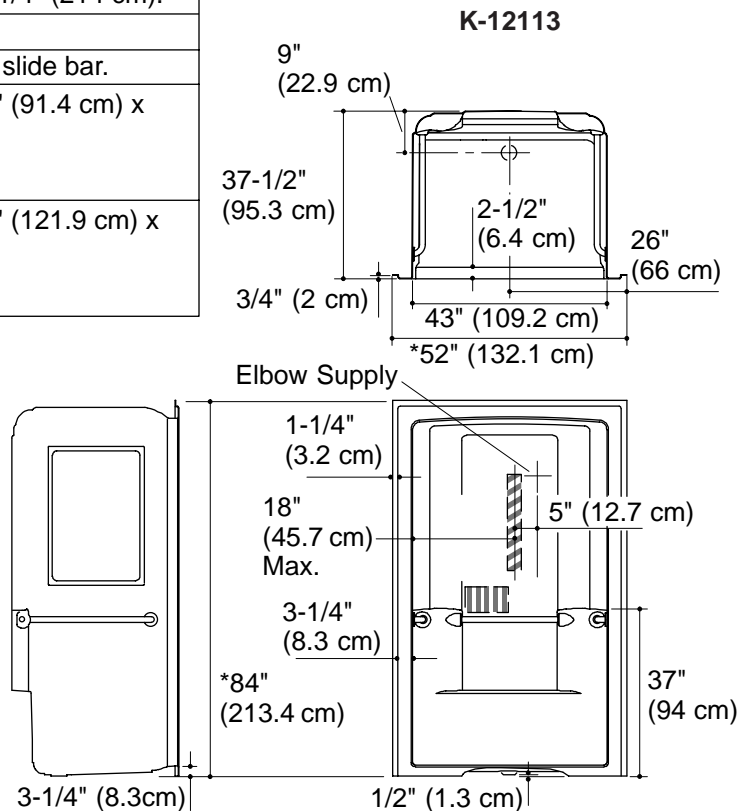
Stud opening tolerance is + 1/4" (6 mm), - 0" (0 mm),

When fire rated construction is specified, dimensions are to the inside of the fire-rated wall.

Some shimming between stud frame and fixture may be required.

Provide clear floor space per ICC/ANSI A117.1, and as shown.

*Recess opening must be 52-1/4" (132.7 cm) x 84-1/4" (214 cm).	
	Represents control area for faucets
	Represents 24" (61 cm) wall mount slide bar.
 36" (91.4 cm) 43" (109.2 cm)	Represents clear floor space for 36" (91.4 cm) x 43" (109.2 cm) side entrance.
 48" (121.9 cm) 43" (109.2 cm)	Represents clear floor space for 48" (121.9 cm) x 43" (109.2 cm) front entrance.



## Product Diagram