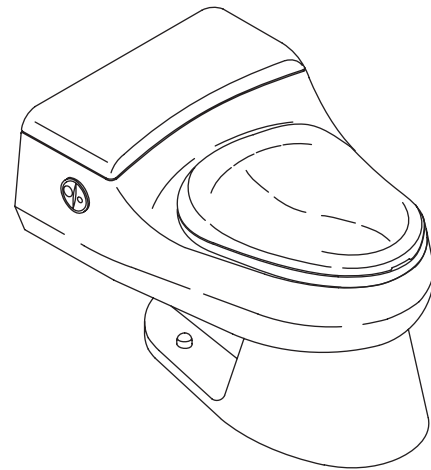


COMFORT HEIGHT™ POWER LITE® TOILET K-3393

ADA

Features

- Vitreous china
- Elongated bowl
- Comfort Height™
- Power Lite® operating system (see electrical service requirements)
- Includes seat and cover
- Less supply
- One-piece
- Includes Twin Touch™ dual flush selector to select either 1 gal (3.8 L) flush or 1.4 gal (5.3 L) flush
- 12" (30.5 cm) rough-in
- 12" (30.5 cm) x 10" (25.4 cm) water area
- 16-1/2" (41.9 cm) high bowl is ADA compliant when an open front toilet seat is installed
- 30" (76.2 cm) x 19-1/2" (49.5 cm) x 21-1/2" (54.6 cm)



Codes/Standards Applicable

Specified model meets or exceeds the following:

- ADA
- ASME A112.19.2
- IAPMO/UPC
- CSA B45
- Underwriters Laboratories (UL)
- Energy Policy Act of 1992

Colors/Finishes

- 0: White
- Other: Refer to Price Book for additional colors/finishes

Accessories:

- CP: Polished Chrome
- BN: Brushed Nickel
- Other: Refer to Price Book for additional colors/finishes

Specified Model

Model	Description	Colors/Finishes	
K-3393	Elongated bowl toilet	<input type="checkbox"/> 0	<input type="checkbox"/> Other_____
Recommended Accessory			
K-7637	3/8" NPT angle supply with stop	<input type="checkbox"/> CP	<input type="checkbox"/> Other_____
Optional Accessory			
K-9433	Twin Touch™ dual flush selector (non-CP)	<input type="checkbox"/> BN	<input type="checkbox"/> Other_____
K-4650	Lustra™ elongated open front toilet seat (for ADA compliant installation)	<input type="checkbox"/> 0	<input type="checkbox"/> Other_____

Product Specification

The Comfort Height™ one-piece toilet shall be 30" (76.2 cm) in length, 19-1/2" (49.5 cm) in width, and 21-1/2" (54.6 cm) in height. Toilet shall have a 12" (30.5 cm) rough-in. Toilet shall have a 12" (30.5 cm) x 10" (25.4 cm) water area. Toilet shall feature the Power Lite® operating system and Twin Touch™ dual flush selector to select either 1 gal (3.8 L) flush or 1.4 gal (5.3 L) flush. 16-1/2" (41.9 cm) high bowl is ADA compliant when an open front toilet seat is installed. Toilet shall be made of vitreous china. Toilet shall include seat and cover. Toilet shall be less supply. Toilet shall be Kohler Model K-3393-_____.

SAN RAPHAEL™

Technical Information

Fixture:	
Configuration	one-piece, elongated
Water per flush	1 gal (3.8 L) / 1.4 gal (5.3 L)
Passageway	2-1/8" (5.4 cm)
Water depth from rim	5-7/8" (14.9 cm)
Water area	12" (30.5 cm) x 10" (25.4 cm)
Seat post hole centers	5-1/2" (14 cm)
Pump	.2 Hp, 120 VAC, 8.5 A, 60 Hz
Minimum static pressure required	15 psi (103.4 kPa)

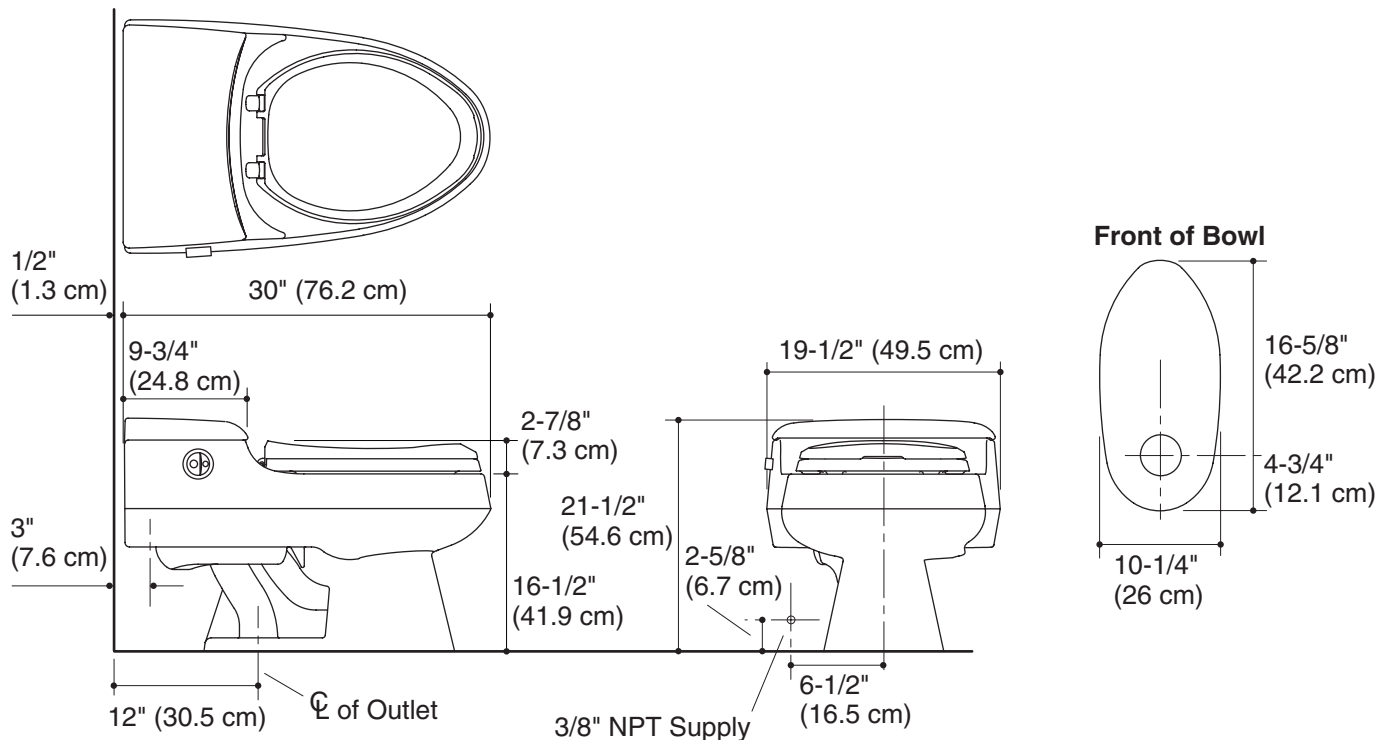
Included components:	
Tank cover	1055954
Bolt cap accessory pack	1013092
Toilet seat	74917
Twin Touch™ dual flush selector	81996
Tank accessory pack	84301
Pump	84153

Required Electrical Service

Dedicated circuit required, protected with Class A Ground-Fault Circuit-Interrupter (GFCI):	
Receptacle	120 VAC, 15 A, 60 Hz

Installation Notes

Install this product according to the installation guide.



Product Diagram

SAN RAPHAEL™ COMFORT HEIGHT™ POWER LITE® TOILET