

### WALL-MOUNT LAVATORY K-14293

ADA

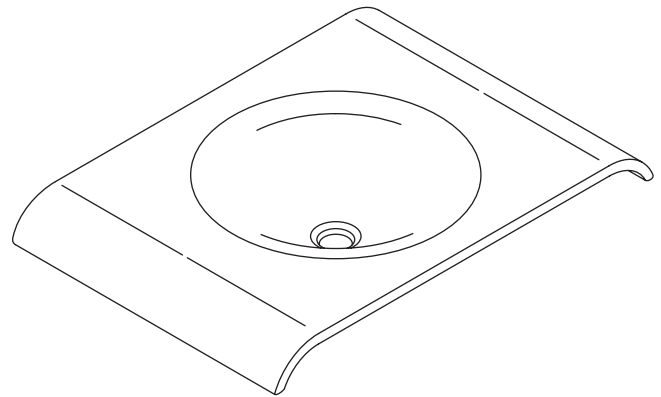
#### Features

- KOHLER cast iron
- Wall-mount
- Without overflow
- Installation hardware included
- 27" (68.6 cm) x 19" (48.3 cm) x 4-1/4" (10.8 cm)

#### Codes/Standards Applicable

Specified model meets or exceeds the following:

- ADA
- ASME A112.19.1M
- IAPMO/UPC
- CSA B45



#### Colors/Finishes

- 0: White
- Other: Refer to Price Book for additional colors/finishes

#### Accessories:

- CP: Polished Chrome
- Other: Refer to Price Book for additional colors/finishes

#### Specified Model

Model	Description	Colors/Finishes	
K-14293	Wall-mount lavatory	<input type="checkbox"/> 0	<input type="checkbox"/> Other_____
<b>Recommended Accessories</b>			
K-7702	Pop-up drain with undercounter mount actuator	<input type="checkbox"/> CP	<input type="checkbox"/> Other_____
K-9018	P-Trap	<input type="checkbox"/> CP	<input type="checkbox"/> Other_____

#### Product Specification:

The wall-mount lavatory shall be made of cast iron. Lavatory shall be without overflow. Lavatory shall be 27" (68.6 cm) in length x 19" (48.3 cm) in width x 4-1/4" (10.8 cm) in height. Lavatory shall be Kohler Model K-14293-\_\_\_\_\_.

# TABLEAU™

## Technical Information

Lavatory is ADA compliant. <span style="border: 1px solid black; padding: 2px;">ADA</span>	
Fixture*:	
Basin area	14" (35.6 cm) D.
Water depth	4" (10.2 cm)
Drain hole	1-3/4" (4.4 cm) D.
* Approximate measurements for comparison only.	

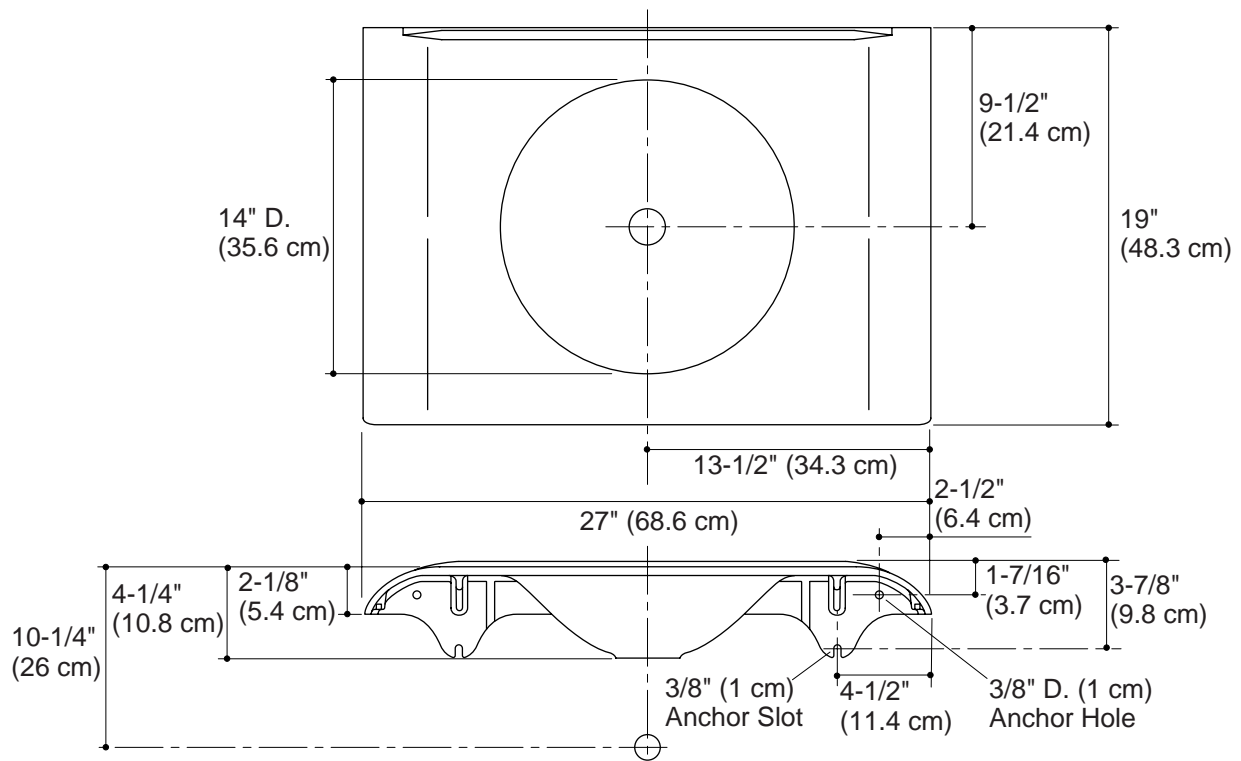
Included components:	
Installation hardware	1036457
Touch-up kit	500306-7

## Installation Notes

Install this product according to the installation guide.

Product does not have an overflow.

Spout must be 4" (10.2 cm) long (minimum) for adequate clearance into lavatory when installed with centerline as shown.



**Product Diagram**