

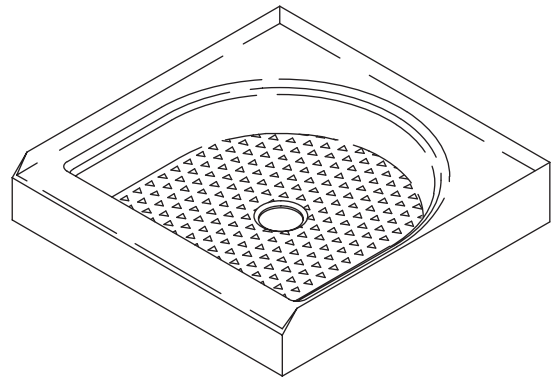
Features

- Acrylic
- Terraced side walls
- Molded-in floor pattern
- Center drain outlet
- 42" (106.7 cm) x 41-3/4" (106 cm) (K-9533)
- 47-7/8" (121.6 cm) x 34" (86.4 cm) (K-9534)
- 42" (106.7 cm) x 34" (86.4 cm) (K-9538)

ACRYLIC ONE-PIECE SHOWER RECEPTORS

K-9533

ALSO K-9534, K-9538



Codes/Standards Applicable

Specified model meets or exceeds the following:

- ANSI Z124.2
- IAPMO/UPC

Colors/Finishes

- 0: White
- Other: Refer to Price Book for additional colors/finishes

Accessories:

- CP: Polished Chrome
- PB: Polished Brass
- Other: Refer to Price Book for additional colors/finishes

Specified Model

Model	Description	Colors/Finishes	
K-9533	42" (106.7 cm) x 41-3/4" (106 cm) x 4-1/2" (11.4 cm) receptor	<input type="checkbox"/> 0 White	<input type="checkbox"/> Other _____
K-9534	47-7/8" (121.6 cm) x 34" (86.4 cm) x 4-1/2" (11.4 cm) receptor	<input type="checkbox"/> 0 White	<input type="checkbox"/> Other _____
K-9538	42" (106.7 cm) x 34" (86.4 cm) x 4-1/2" (11.4 cm) receptor	<input type="checkbox"/> 0 White	<input type="checkbox"/> Other _____

Recommended Accessory

K-9132	Shower drain	<input type="checkbox"/> CP	<input type="checkbox"/> PB	<input type="checkbox"/> Other _____
Refer to Fixtures Price Book for shower door selections, glass options, and color information.				

Product Specification

The shower receptor shall be 40" (101.6 cm) in length, 40" (101.6 cm) in width, and 4-1/2" (11.4 cm) in height (K-9533) **OR** 40" (101.6 cm) in length, 40" (101.6 cm) in width, and 4-1/2" (11.4 cm) in height (K-9534) **OR** 40" (101.6 cm) in length, 40" (101.6 cm) in width, and 4-1/2" (11.4 cm) in height (K-9538). Shower receptor shall be made of acrylic with center drain, terraced side walls, and molded-in floor pattern. Shower receptor shall be Kohler Model K-_____-_____.

CAPTIVA™

Technical Information

Fixture:	
Weight (K-9533)	57 lbs. (25.9 kg)
Weight (K-9534)	45 lbs. (20.4 kg)
Weight (K-9538)	40 lbs. (18.1 kg)
Configuration	1-piece
Drain hole	3-3/8" D. (8.6 cm)

Installation Notes

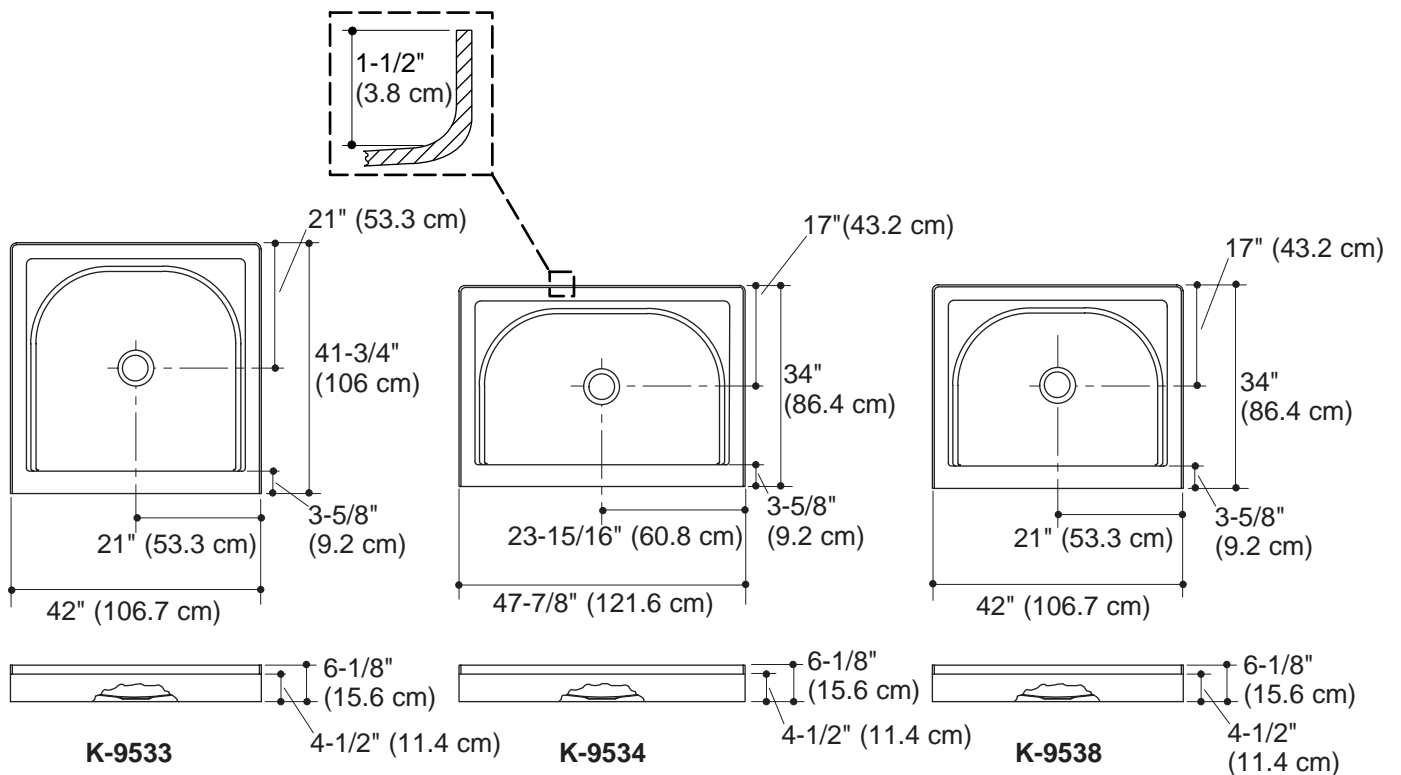
Refer to installation instructions included with the fixture before beginning installation.

Shimming may be required to level the fixture.

Stud opening tolerance is + 1/4" (6 mm), - 0" (0 mm).

When fire rated construction is specified, dimensions are to the inside of the fire-rated wall.

Some shimming between stud frame and fixture may be required.



Product Diagram

CAPTIVA™ ACRYLIC ONE-PIECE SHOWER RECEPTORS

Page 2 of 2
114574-4-BC

THE BOLD LOOK
OF **KOHLER**