

Features

- Vitreous china
- Undercounter
- Without overflow
- Includes basin clamp assembly
- Available with KOHLER Artist Editions designs
- 14" (35.6 cm) diameter

UNDERCOUNTER LAVATORY K-2349

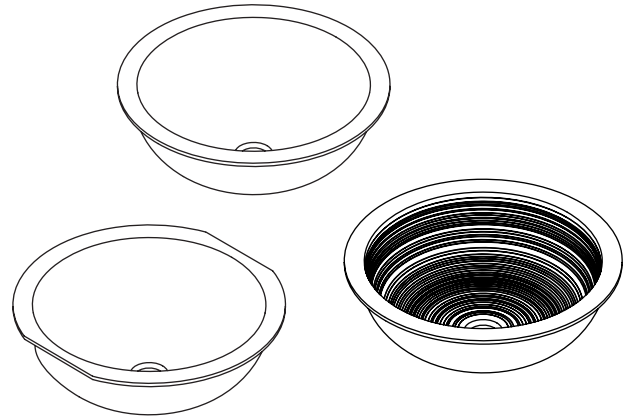
ALSO K-14026, K-14046, K-14298

ADA

Codes/Standards Applicable

Specified model meets or exceeds the following:

- ASME A112.19.2
- IAPMO/UPC
- CSA International
- ADA



Colors/Finishes

- 0: White
- BW: Congo™
- LP: Zanzibar™
- HA: Ipanema™
- BU: Marrakesh™
- JB: Maharani™
- KB: Tog & Thel™
- Other: Refer to Price Book for additional colors/finishes

Specified Model

Model	Description	Colors/Finishes				
K-2349	Camber lavatory - less painted underside	<input type="checkbox"/> 0				<input type="checkbox"/> Other_____
K-14026	Camber Artist Editions lavatory - with painted underside		<input type="checkbox"/> BW	<input type="checkbox"/> LP	<input type="checkbox"/> HA	
K-14036	Camber Artist Editions lavatory - less painted underside		<input type="checkbox"/> BW	<input type="checkbox"/> LP	<input type="checkbox"/> HA	
K-14046	Camber Artist Editions lavatory - with cut edges		<input type="checkbox"/> BU	<input type="checkbox"/> JB	<input type="checkbox"/> KB	
K-14287-H6	Twirl design on Camber lavatory - less glazed underside	<input type="checkbox"/> 0				<input type="checkbox"/> Other_____
K-14287-H7	Twirl design on Camber lavatory - with Almond glazed underside	<input type="checkbox"/> 0				<input type="checkbox"/> Other_____
K-14298	Camber Artist Editions lavatory - with decorative carving	<input type="checkbox"/> 0				<input type="checkbox"/> Other_____

Product Specification

The undercounter vitreous china lavatory shall be 14" (35.6 cm) in diameter, with a 13-3/4" (34.9 cm) useable interior diameter. Lavatory shall be available with Artist Editions designs. Lavatory shall be without overflow. Lavatory shall include basin clamp assembly. Product shall be Kohler Model K-____-____ or K-____-____-____.

CAMBER®/TWIRL™

Technical Information

Fixture*:	
Basin area	13-3/4" (34.9 cm) D.
Water depth	5" (12.7 cm)
Drain hole	1-3/4" (3.2 cm) D.
* Approximate measurements for comparison only.	
Included components:	
Basin clamp assembly	52047
Cut-out template	1035896-7

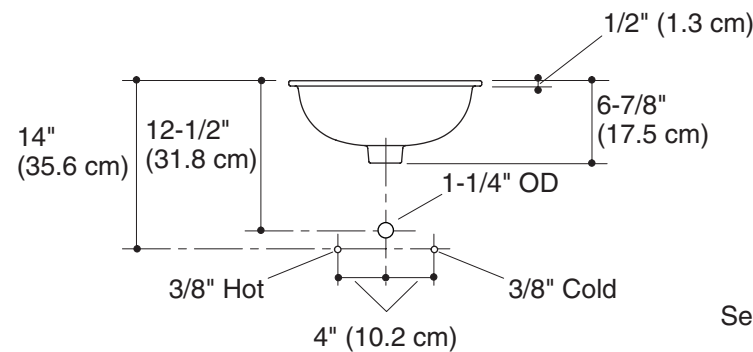
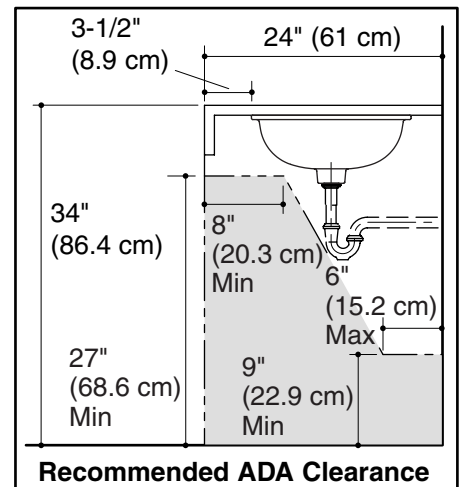
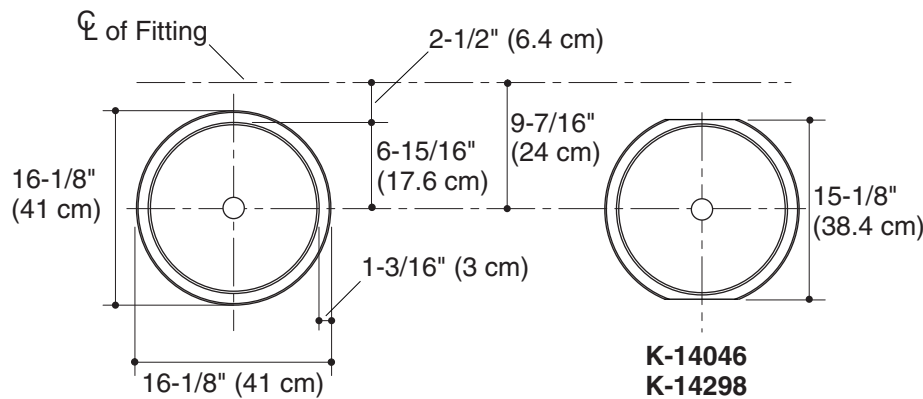
Installation Notes

Install this product according to the installation guide.

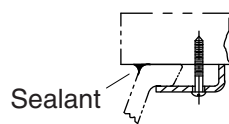
Supplied basin clamp assemblies require 1" (2.5 cm) minimum countertop thickness. Installer must supply anchors for thinner countertops.

NOTICE: Countertop manufacturer or cutter must use the cut-out template provided with the product, or a current one provided by Kohler (call 1-800-4-KOHLER). Kohler is not responsible for cutout errors when incorrect cut-out template is used.

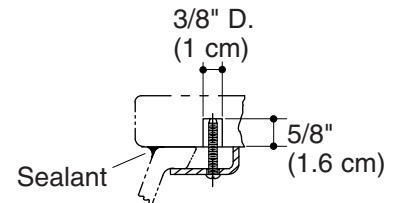
Fixture dimensions are nominal and conform to tolerances in ASME Standard A112.19.2.



Standard Installation



Wood Installation



Marble Installation

Product Diagram