

NATURE'S CHEMISTRY™ SPUN GLASS™

VESSELS LAVATORY K-2276

ADA

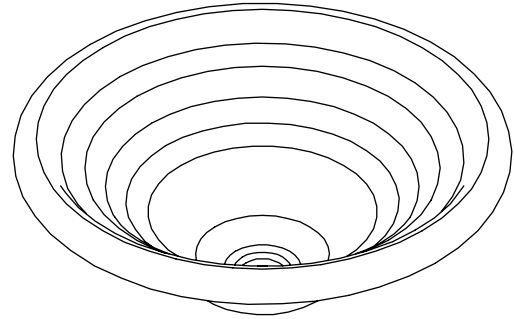
Features

- Above-the-counter or self-rimming
- Without overflow
- Soda lime glass
- ADA compliant when distance from rim to floor is 34" (86.4 cm) [self-rimming only]
- Optional wall-mount bracket (K-9655)
- 17-1/2" (44.5 cm) diameter

Codes/Standards Applicable

Specified model meets or exceeds the following:

- ADA (self-rimming only)
- CSA International
- CSA B45.0
- CSA B45.1
- ICC/ANSI A117.1 (self-rimming only)
- IAPMO/UPC



Colors/Finishes

- B1: Clear Glass
- B2: Aquamarine Glass
- B3: Cobalt Glass

Accessories

- CP: Polished Chrome
- NA: None applicable
- Other: Refer to Price Book for additional colors/finishes

Specified Model

Model	Description	Colors/Finishes		
K-2276	Lavatory - above-the-counter or self-rimming	<input type="checkbox"/> B1	<input type="checkbox"/> B2	<input type="checkbox"/> B3
Recommended Accessories				
K-7114	Pop-up drain OR	<input type="checkbox"/> CP	<input type="checkbox"/> Other_____	
K-7725	Lavatory drain with non-overflow – non-removable stopper OR			
K-7726	Lavatory grid drain with non-overflow	<input type="checkbox"/> CP	<input type="checkbox"/> Other_____	
K-9018	P-Trap	<input type="checkbox"/> CP	<input type="checkbox"/> Other_____	
Optional Accessories				
K-9655	Vessels wall-mount bracket	<input type="checkbox"/> NA		

Product Specification

The lavatory shall be made of soda lime glass. Lavatory shall be 17-1/2" (44.5 cm) in diameter. Lavatory shall be above-the-counter or self-rimming. Lavatory shall be without overflow. Lavatory shall have optional wall-mount bracket (K-9655). Lavatory shall be ADA compliant when distance from rim to floor is 34" (86.4 cm). Lavatory shall be Kohler Model K-2276-_____.

NATURE'S CHEMISTRY™ SPUN GLASS™

Technical Information

Fixture*:	
Basin area	15" (38.1 cm) D.
Water depth	5-1/2" (14 cm)
Drain hole	1-3/4" (4.4 cm) D.
* Approximate measurements for comparison only.	
Included components:	
Installation tape	84938
Cut-out template	115888-7

Installation Notes

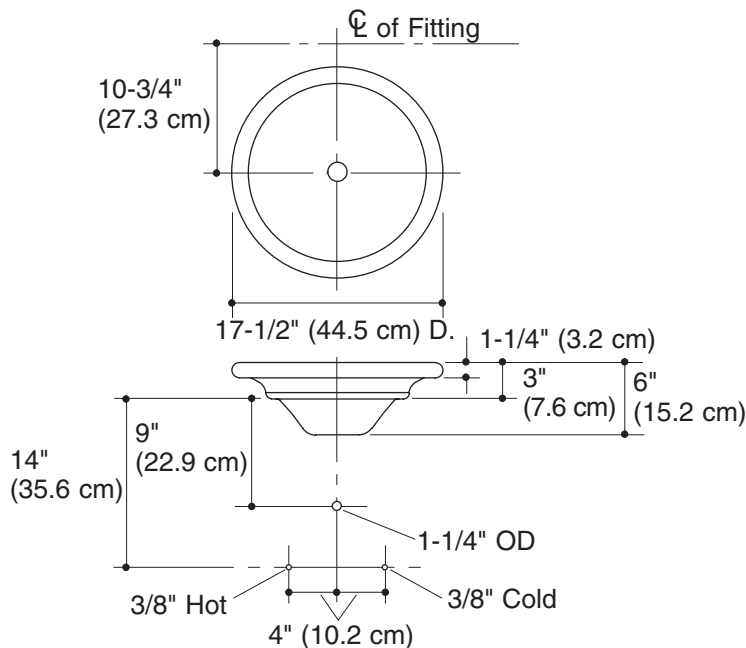
Install this product according to the installation guide.

Product does not have an overflow.

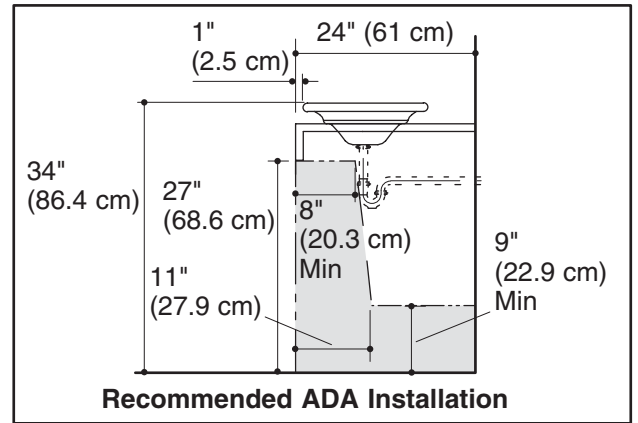
Spout must be 5" (12.7 cm) long (min) for adequate clearance into lavatory when installed with centerline as shown.

Spout must be tall enough to clear 3" (7.6 cm) rim height and provide a 1" (2.5 cm) air gap per ASME A112.1.2.

Diagram is based on the K-9018 P-trap with a 1" (2.5 cm) tailpiece exposed.



Standard Installation



Recommended ADA Installation

Product Diagram