

**SHOWERHEAD
K-12008
ALSO K-12009**

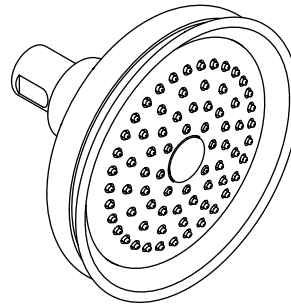
Features

- MasterClean™ spray nozzles prohibit mineral build-up
- 72 individual spray nozzles
- Multi-function showerhead delivers wide, full coverage spray, soft aerated spray and therapeutic massage spray
- 1/2" - 14 NPT connection
- Complements Fairfax® Suite

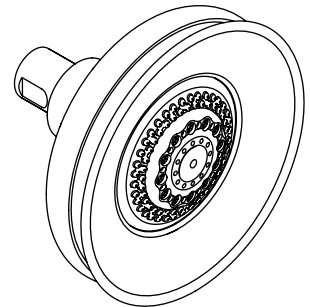
Codes/Standards Applicable

Specified model meets or exceeds the following:

- ASME A112.18.1
- CSA B125
- IAPMO/UPC



K-12008



K-12009

Colors/Finishes

- CP: Polished Chrome
- Other: Refer to Price Book for additional colors/finishes

Specified Model

Model	Description		
K-12008	Single-function showerhead	<input type="checkbox"/> CP	<input type="checkbox"/> Other ____
K-12009	Multi-function showerhead	<input type="checkbox"/> CP	<input type="checkbox"/> Other ____
Recommended Accessory			
K-7397	7-1/2" (13.7 cm) shower arm and flange	<input type="checkbox"/> CP	<input type="checkbox"/> PB <input type="checkbox"/> Other ____

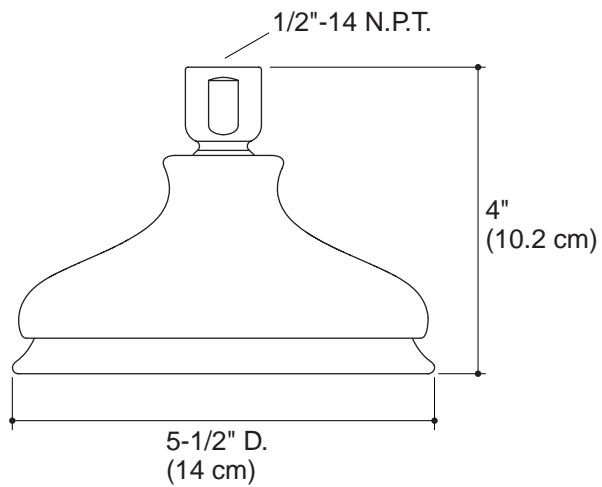
Product Specification

Showerhead shall include single or multi-function spray. Multi-function showerhead shall deliver wide, full coverage spray, soft aerated spray and therapeutic massage spray. Showerhead shall include MasterClean™ spray nozzles to prohibit mineral build-up. Showerhead shall include 72 individual spray nozzles. Showerhead shall have 1/2"-14 NPT connection. Showerhead shall be part of Fairfax® Suite. Showerhead shall be Kohler Model K-____-____.

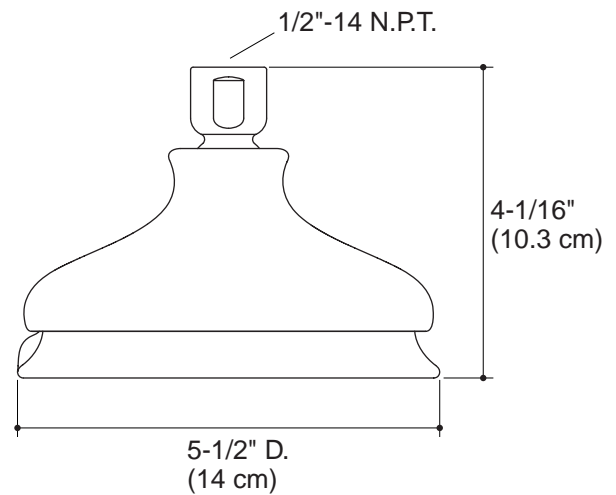
FAIRFAX®

Installation Notes

Install this product according to the installation guide.



K-12008



K-12009

Product Diagram