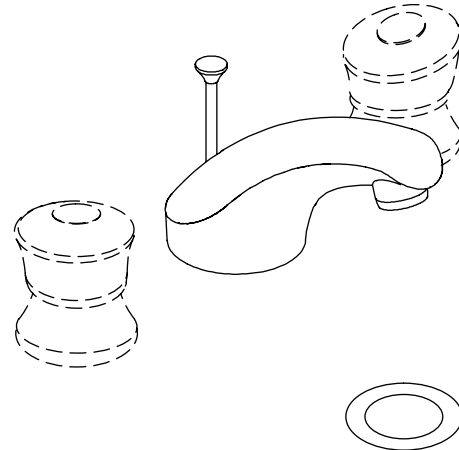


**LAVATORY FAUCET
K-15261**

Features

- Metal construction
- Brass valve bodies
- Reversible quarter-turn washerless ceramic disc valves
- Pop-up drain with lift rod and tailpiece
- 2.2 gallons (8.3 L) per minute maximum flow rate
- Lower flow aerator options are available (refer to the Kohler Price Book)
- Flexible connections for easy installation
- Available with acrylic or lever handles
- 4-1/4" (10.8 cm) spout



Codes/Standards Applicable

Specified model meets or exceeds the following:

- ASME A112.18.1/CSA B125.1
- IAPMO/UPC
- NSF 61
- Energy Policy Act of 1992
- CSA International

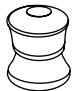

Colors/Finishes

- CP: Polished Chrome
- PB: Polished Brass
- Other: Refer to Price Book for additional colors/finishes

Accessories

- NA: None applicable

Specified Model

| Model | Description |  | | |  ADA |
|-----------------------------|--|---|-----------------------------|--------------------------------------|--|
| K-15261-7 | Lavatory faucet with acrylic handles and drain | <input type="checkbox"/> CP | <input type="checkbox"/> PB | <input type="checkbox"/> Other _____ | |
| K-15261-4 | Lavatory faucet with lever handles and drain | | | | <input type="checkbox"/> CP <input type="checkbox"/> PB <input type="checkbox"/> Other _____ |
| Optional Accessories | | | | | |
| 40003 | Wrench for long-stemmed ceramic valve bodies | | | | <input type="checkbox"/> NA |

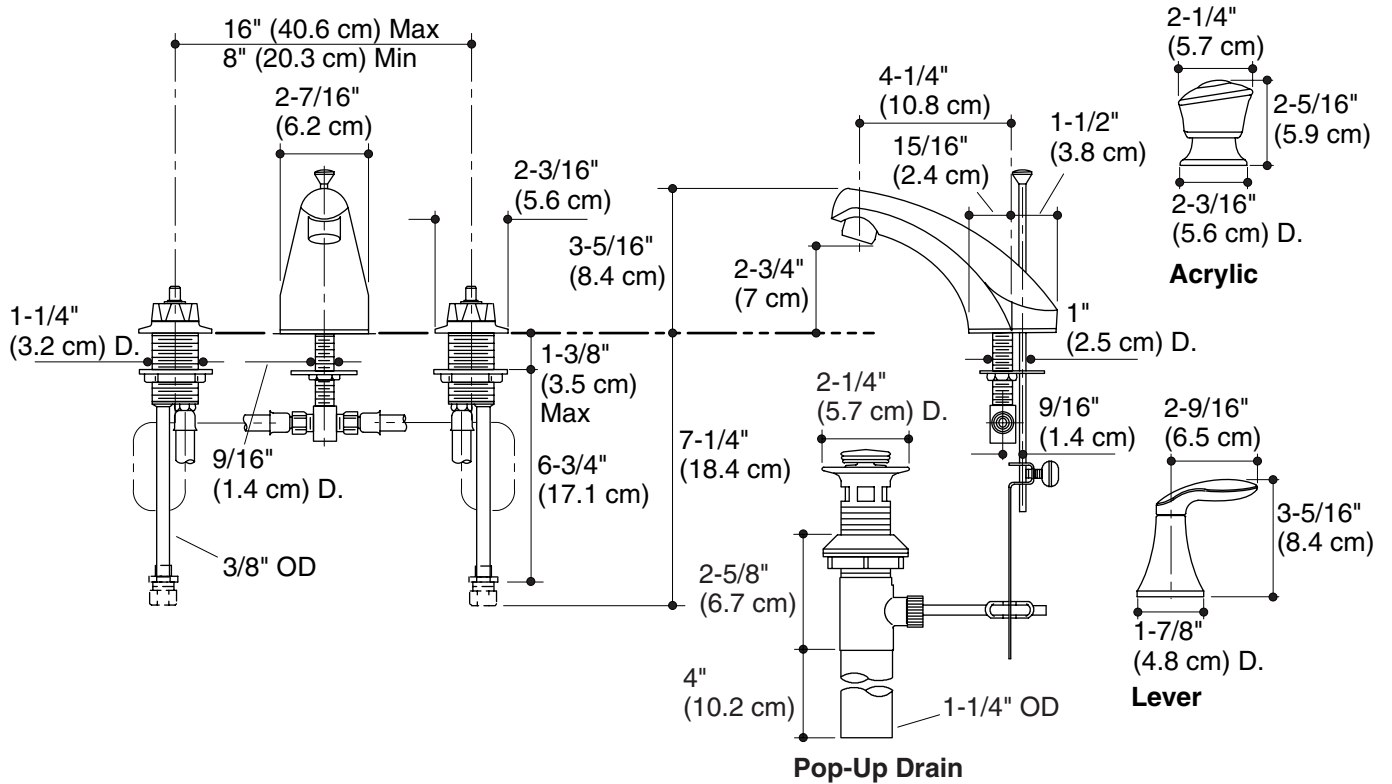
Product Specification

Two-handle widespread lavatory faucet shall be of metal construction. Faucet shall feature reversible quarter-turn washerless ceramic disc valves, assuring positive handle stop positioning. Faucet shall include flexible connections, 4-1/4" (10.8 cm) spout, pop-up drain with lift rod and tailpiece, and acrylic or lever handles. Faucet shall be rated at 2.2 gallons (8.3 L) per minute. Faucet shall have lower flow aerator options. Faucet shall be Kohler Model K-15261-_____-_____.

CORALAIS®

Installation Notes

Install this product according to the installation guide.



Product Diagram