

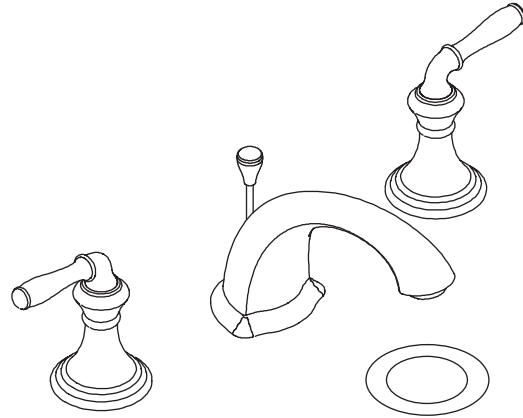
Features

- Metal construction
- Flexible connections for easy installation
- Brass valve bodies
- Quarter-turn washerless ceramic disc valves
- 2.2 gallons (8.3 L) per minute maximum flow rate
- Lower flow aerator options are available (refer to the Kohler Price Book)
- Pop-up drain with lift rod and tailpiece
- Lever handles
- For 8" (20.3 cm) or 16" (40.6 cm) centers
- 6-3/8" (16.2 cm) spout reach

Codes/Standards Applicable

Specified model meets or exceeds the following:

- ASME A112.18.1/CSA B125.1
- Energy Policy Act of 1992
- NSF 61
- ADA
- IAPMO/cUPC



Colors/Finishes

- CP: Polished Chrome
- PB: Vibrant® Polished Brass
- Other: Refer to Price Book for additional colors/finishes

Accessories

- NA: None applicable

Specified Model

Model	Description	Colors/Finishes		
		<input type="checkbox"/> CP	<input type="checkbox"/> PB	<input type="checkbox"/> Other ____
K-394-4	Widespread lavatory faucet	<input type="checkbox"/> CP	<input type="checkbox"/> PB	<input type="checkbox"/> Other ____
K-394-X4	Widespread lavatory faucet with red and blue indexing	<input type="checkbox"/> CP		
Optional Accessories				
40003	Wrench for long-stemmed ceramic valve bodies			<input type="checkbox"/> NA

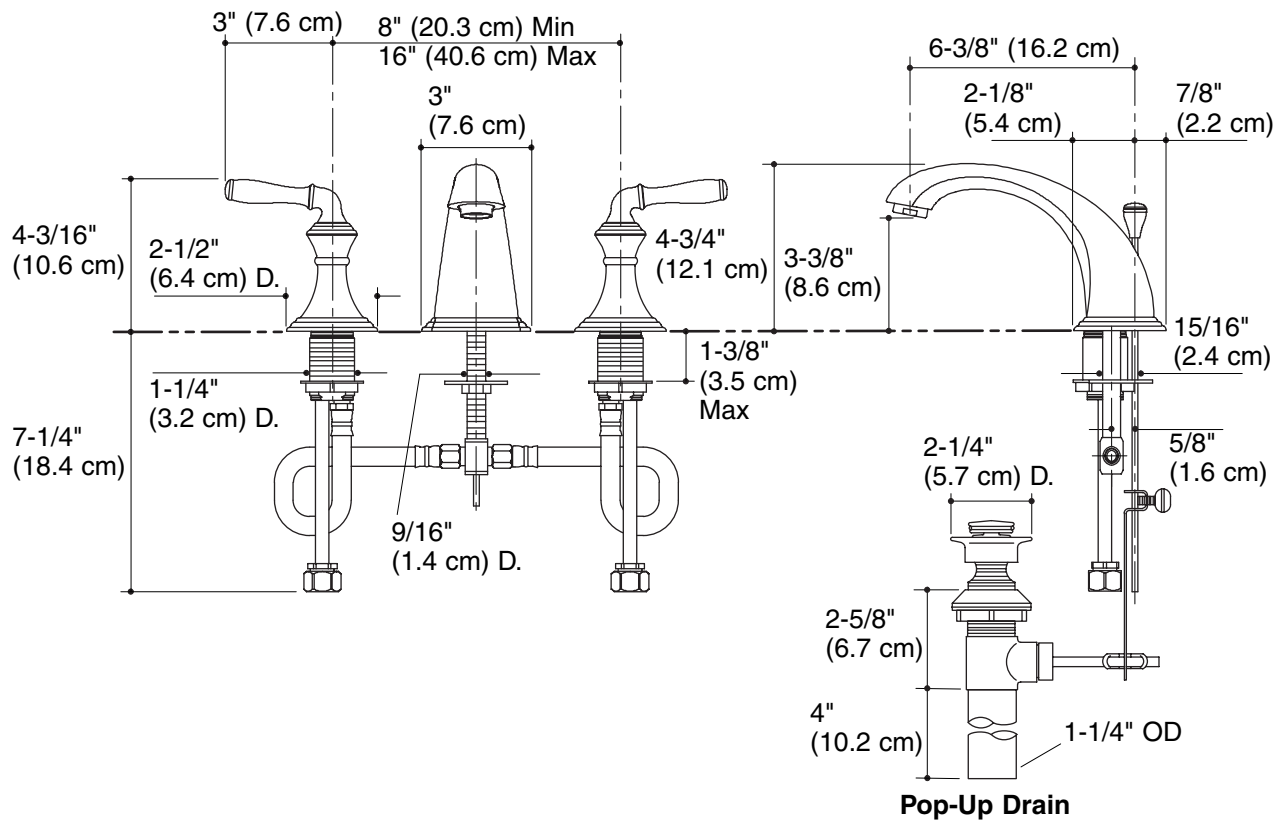
Product Specification

Two-handle widespread lavatory faucet shall be of metal construction. Faucet shall feature brass valve bodies. Faucet shall be for 8" (20.3 cm) or 16" (40.6 cm) centers. Faucet shall feature quarter-turn ceramic disc valves, assuring positive handle stop positioning. Faucet shall feature a 6-3/8" (16.2 cm) spout reach. Faucet shall have a maximum flow rate of 2.2 gallons (8.3 L) per minute with lower flow aerator options available (refer to Kohler Price Book). Faucet shall include flexible connections, pop-up drain with lift rod and tailpiece, and lever handles. Faucet shall be Kohler Model K-394-_____-_____.

DEVONSHIRE®

Installation Notes

Install this product according to the installation guide.



Product Diagram