

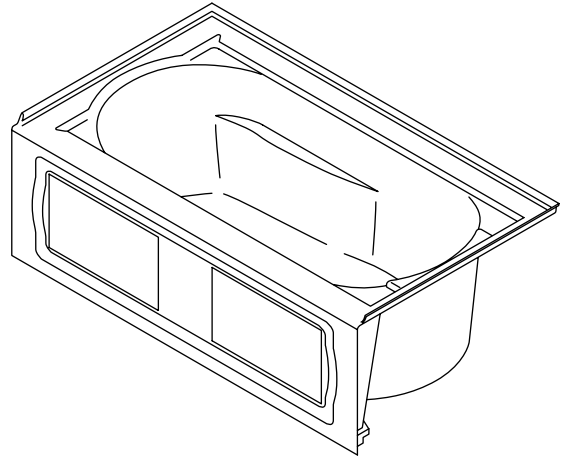
### Features

- Acrylic
- 60 gallon (227.1 L) capacity
- Drop-in installation [K-1184]
- Alcove installation [K-1184-LA, K-1184-RA]
- Integral apron and integral tile flange [K-1184-LA, K-1184-RA]
- Arm rests and lumbar support to cradle the body
- Textured bottom surface
- 60" (152.4 cm) x 32" (81.3 cm) x 20" (50.8 cm)

### Codes/Standards Applicable

Specified model meets or exceeds the following:

- ANSI Z124.1.2
- ASME A112.19.7M
- IAPMO/UPC



### Colors/Finishes

- 0: White
- Other: Refer to Price Book for additional colors/finishes

### Accessories

- CP: Polished Chrome
- PB: Vibrant® Polished Brass
- Other: Refer to Price Book for additional colors/finishes

### Specified Model

Model	Description	Colors/Finishes	
K-1184	Bath for drop-in installation	<input type="checkbox"/> 0	<input type="checkbox"/> Other_____
K-1184-LA	Bath with integral apron for alcove installation – left drain	<input type="checkbox"/> 0	<input type="checkbox"/> Other_____
K-1184-RA	Bath with integral apron for alcove installation – right drain (shown)	<input type="checkbox"/> 0	<input type="checkbox"/> Other_____

Recommended Accessories				
K-7161-AF	Pop-up drain – above-the-floor installation <b>OR</b>	<input type="checkbox"/> CP	<input type="checkbox"/> PB	<input type="checkbox"/> Other_____
K-7213	Cable drain with PVC tubing <b>OR</b>		<input type="checkbox"/> CP	<input type="checkbox"/> Other_____
K-7214	Cable drain without PVC tubing		<input type="checkbox"/> CP	<input type="checkbox"/> Other_____

### Product Specification

The acrylic bath shall be 60" (152.4 cm) in length, 32" (81.3 cm) in width, and 20" (50.8 cm) in height. Bath shall be for drop-in installation [K-1184] or alcove installation [K-1184-LA, K-1184-RA]. Bath shall feature an integral apron and integral tile flange [K-1184-LA, K-1184-RA]. Bath shall have arm rests and lumbar support to cradle the body. Bath shall feature a textured bottom surface. Bath shall feature a 60 gallon (227.1 L) capacity. Bath shall be Kohler Model K-1184-\_\_\_\_ or K-1184-\_\_\_\_-\_\_\_\_.

# DEVONSHIRE®

## Technical Information

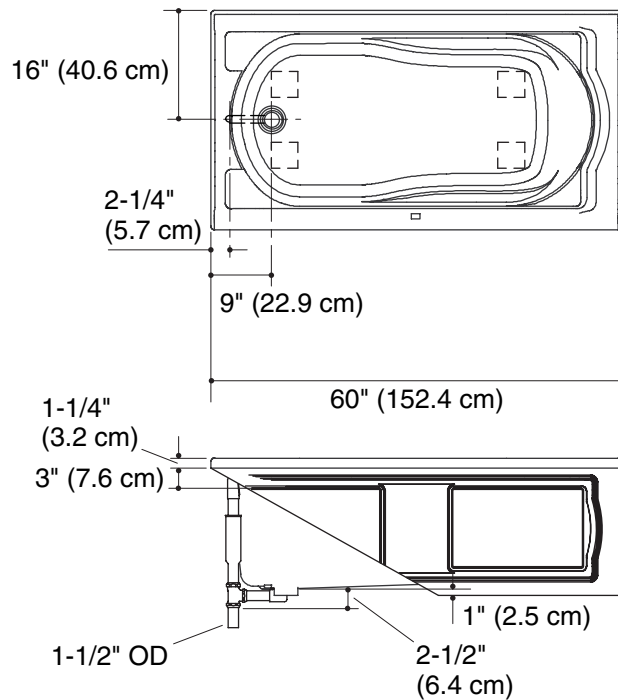
Fixture*:		
Basin area:		
Bathing well	42" (106.7 cm) x 20" (50.8 cm)	
Top area	51" (129.5 cm) x 24" (61 cm)	
To overflow:		
Water depth	14" (35.6 cm)	
Capacity	60 gal (277.1 L)	
Weight	K-1184	70 lbs (31.8 kg)
	K-1184-LA, K-1184-RA	80 lbs (36.3 kg)
* Approximate measurements for comparison only.		
Drop-in cut-out [K-1184]	58" (147.3 cm) x 30" (76.2 cm)	

## Installation Notes

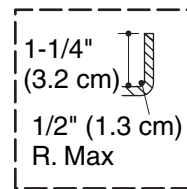
Install this product according to the installation guide.

Floor support under bath must provide for a minimum of 41 lbs/square foot (202 kg/square meter) loading.

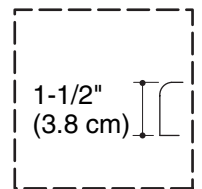
### K-1184-LA/RA



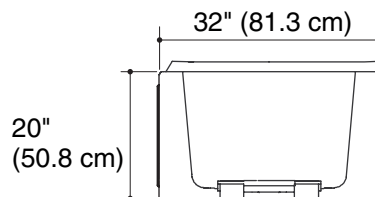
No change in measurements if connected with drain illustrated. (K-7161-AF or K-7161M-AF)



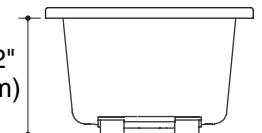
**Integral Flange Detail**



**Drop-in Rim Detail**



**K-1184-LA/RA**



**K-1184**

## Product Diagram