

### UNDERCOUNTER KITCHEN SINK K-3353

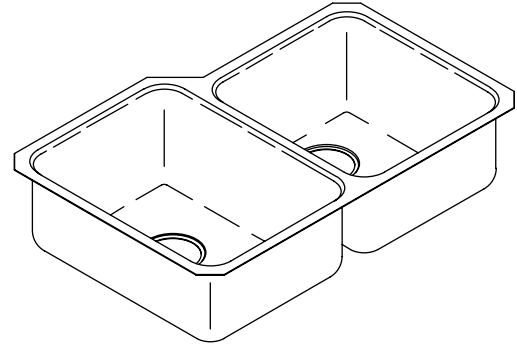
#### Features

- 18 gauge stainless steel
- Undercounter
- Double (large/medium) compartment
- Squared bowl(s)
- Includes installation hardware
- 7-1/2" (19.1 cm) deep basins
- 29-1/4" (74.3 cm) x 18-5/8" (47.3 cm)

#### Codes/Standards Applicable

Specified model meets or exceeds the following:

- ASME A112.19.3
- IAPMO/UPC
- CSA B45



#### Colors/Finishes

- NA: None applicable

#### Accessories:

- CP: Polished Chrome
- 0: White
- NA: None applicable
- Other: Refer to Price Book for additional colors/finishes

#### Specified Model

Model	Description	Colors/Finishes
K-3353	Undercounter sink with medium basin on right	<input type="checkbox"/> NA
K-3353-L	Undercounter sink with medium basin on left	<input type="checkbox"/> NA

Optional Accessories			
K-3190	Bottom basin rack (for medium basin)	<input type="checkbox"/> 0 White	<input type="checkbox"/> Other_____
K-3277	Wire basket (for either basin)	<input type="checkbox"/> 0 White	<input type="checkbox"/> Other_____
K-3294	Hardwood cutting board (for medium basin)	<input type="checkbox"/> NA	
K-8801	Duostrainer® sink strainer	<input type="checkbox"/> CP	<input type="checkbox"/> Other_____

#### Product Specification:

The undercounter kitchen sink shall be 29-1/4" (74.3 cm) in length and 18-5/8" (47.3 cm) in width. Sink basins shall be 7-1/2" (19.1 cm) deep. Sink shall be made of 18 gauge stainless steel. Sink shall feature double (large/medium) compartments with squared bowls. Sink shall include installation hardware. Sink shall be Kohler Model K-3353-\_\_\_\_\_.

# UNDERTONE™

## Technical Information

**Dimensions shown for K-3353;** sink dimensions are opposite for K-3353-L.

Fixture*:	Basin area	Water depth
Sink, left	14" (35.6 cm) x 19" (48.3 cm)	7-1/2" (19.1 cm)
Sink, right	14" (35.6 cm) x 16" (40.6 cm)	7-1/2" (19.1 cm)
Drain holes	3-5/8" (9.2 cm) D.	

\* Approximate measurements for comparison only.

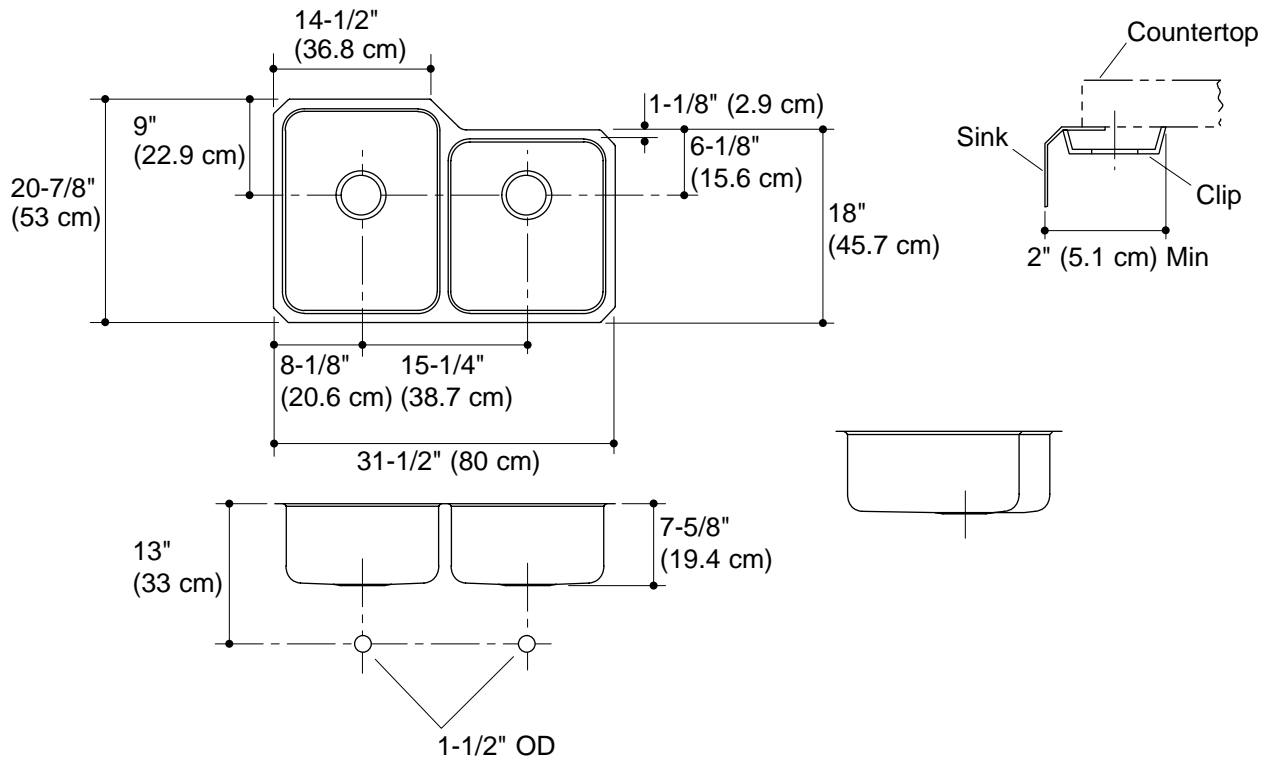
Included components:

Hardware kit (4 required)	91915
Cut-out template (K-3353)	1040557-7
Cut-out template (K-3353-L)	1023161-7

## Installation Notes

Install this product according to the installation guide.

Allow a minimum of 2" (5.1 cm) clearance around the sink rim for clip attachment.



## Product Diagram