

**KITCHEN SINK FAUCET
K-16111**

ADA

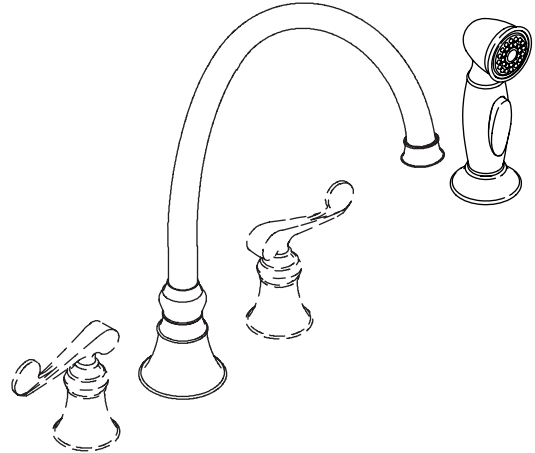
Features

- Brass construction
- Brass valve bodies
- Quarter-turn washerless ceramic disc valves
- Handspray
- 2.2 gallons (8.3 L) per minute maximum flow rate
- Lower flow aerator options are available (refer to the Kohler Price Book)
- 11-13/16" (30 cm) swing spout
- Available with scroll or traditional handle(s)
- For 8" (20.3 cm) centers

Codes/Standards Applicable

Specified model meets or exceeds the following:

- ASME A112.18.1/CSA B125.1
- IAPMO/cUPC
- NSF 61
- Energy Policy Act of 1992
- ADA





Colors/Finishes

- CP: Polished Chrome
- BN: Brushed Nickel
- BX: Vibrant® Brazen Bronze
- Other: Refer to Price Book for additional colors/finishes

Accessories

- NA: None applicable

Specified Model

Model	Description	 ADA			 ADA			
K-16111-4	Kitchen sink faucet – scroll handles and handspray	<input type="checkbox"/> CP	<input type="checkbox"/> BN	<input type="checkbox"/> Other ____				
K-16111-4A	Kitchen sink faucet – traditional handles and handspray				<input type="checkbox"/> CP	<input type="checkbox"/> BN	<input type="checkbox"/> BX	<input type="checkbox"/> Other ____

Optional Accessories		
40003	Wrench for long-stemmed ceramic valve bodies	<input type="checkbox"/> NA
1095353	Deep roughing-in kit for two-handle faucet and sidespray – fits 1-3/8" (3.5 cm) to 2-1/8" (5.4 cm) countertop thickness	<input type="checkbox"/> NA

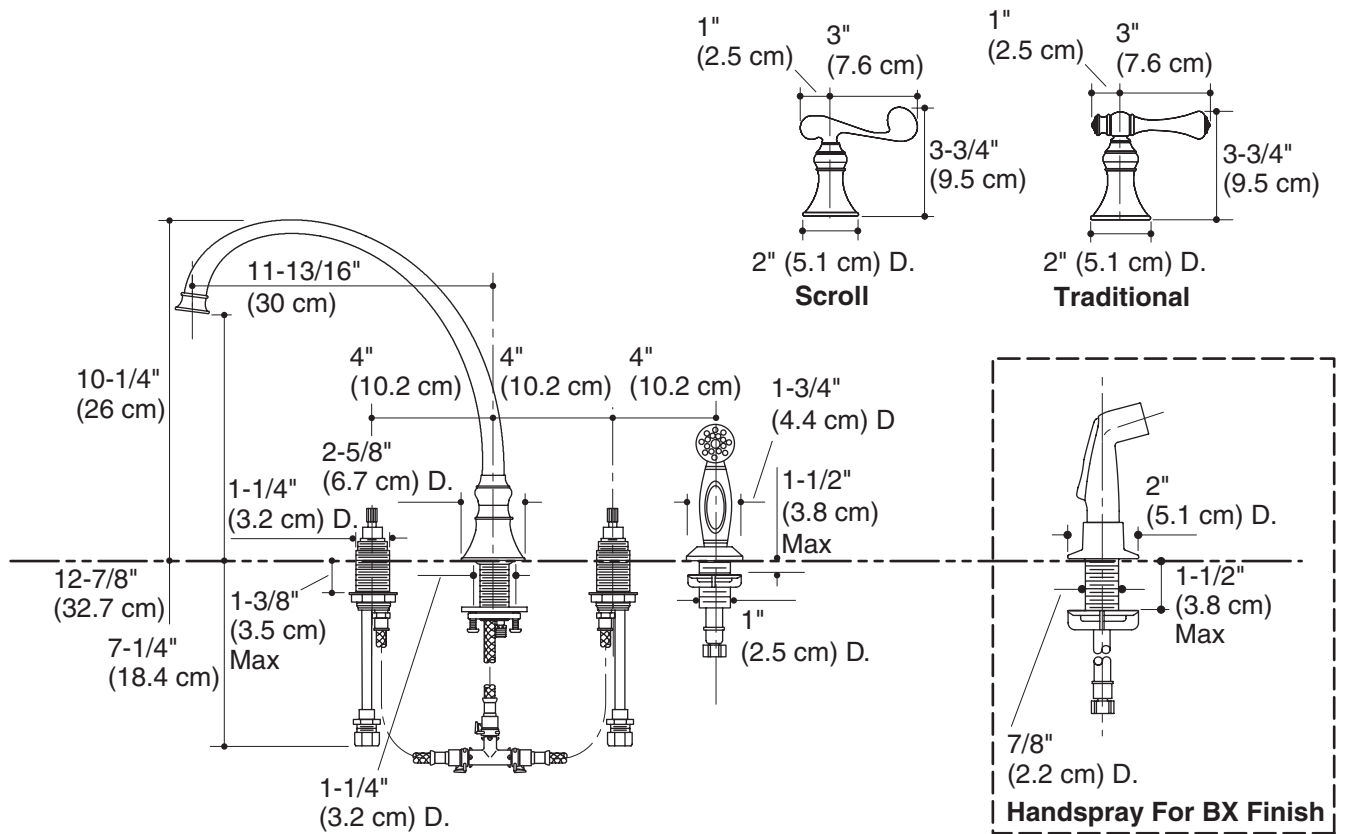
Product Specification

The two-handle kitchen sink faucet shall be of brass construction. Faucet shall feature quarter-turn washerless ceramic disc valves. Faucet shall have a maximum flow rate of 2.2 gallons (8.3 L) per minute with lower flow aerator options available (refer to the Kohler Price Book). Product shall feature 8" (20.3 cm) centers, 11-13/16" (30 cm) swing spout, handspray, and brass valve bodies. Faucet shall be available with scroll or traditional handle(s). Faucet shall be Kohler Model K-16111-____-____.

REVIVAL®

Installation Notes

Install this product according to the installation guide.



Product Diagram