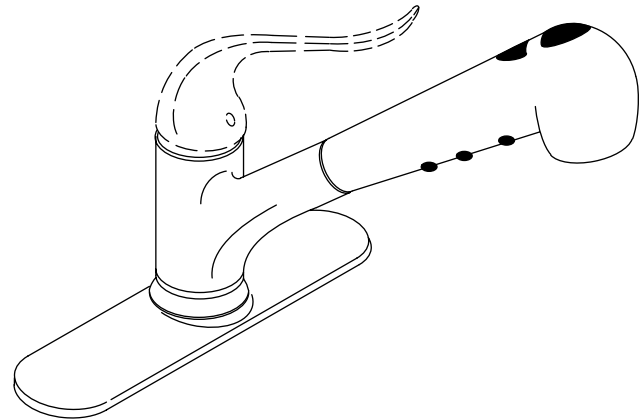


**PULL-OUT SPRAY KITCHEN SINK  
FAUCET  
K-15160**

**ADA**

**Features**

- Metal construction
- One-piece, self-contained ceramic disc valve allows both volume and temperature control
- Temperature memory allows faucet to be turned on and off at any temperature setting
- High-temperature limit setting for added safety
- Loop handle or lever handle
- 9" (22.9 cm) swing spout reach
- Touch control for stream-to-spray water flow
- 2.2 gallons (8.3 L) per minute maximum flow rate
- Integral vacuum breaker
- Integral vacuum breaker



**Codes/Standards Applicable**

Specified model meets or exceeds the following:

- ASME A112.18.1/CSA B125.1
- IAPMO/cUPC
- NSF 61
- Energy Policy Act of 1992
- ADA

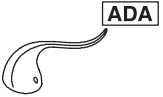

**Colors/Finishes**

- CP: Polished Chrome
- Other: Refer to Price Book for additional colors/finishes

**Accessories**

- NA: None applicable

**Specified Model**

Model	Description		
K-15160	Faucet with lever handle and matching color sprayhead	<input type="checkbox"/> CP <input type="checkbox"/> Other _____	
K-15160-AP	Faucet with lever handle, Polished Chrome body and White sprayhead	<input type="checkbox"/> CP	
K-15160-L	Faucet with loop handle and matching color sprayhead		<input type="checkbox"/> CP <input type="checkbox"/> Other _____
K-15160-LA	Faucet with loop handle, Polished Chrome body and White sprayhead		<input type="checkbox"/> CP

**Product Specification**

Single-control pull-out spray kitchen sink faucet shall be of metal construction. The valve shall be a one-piece, self-contained ceramic disc valve, and allows both volume and temperature control. The valve shall feature temperature memory, allowing the faucet to be turned on and off at any temperature setting, and includes a high-temperature limit stop. Product shall include 9" (22.9 cm) swing spout with integral sprayhead and hose, lever or loop handle, integral vacuum breaker, and 10" (25.4 cm) escutcheon plate. Faucet shall be Kohler Model K-15160-\_\_\_\_\_-\_\_\_\_\_.

# CORALAIS®

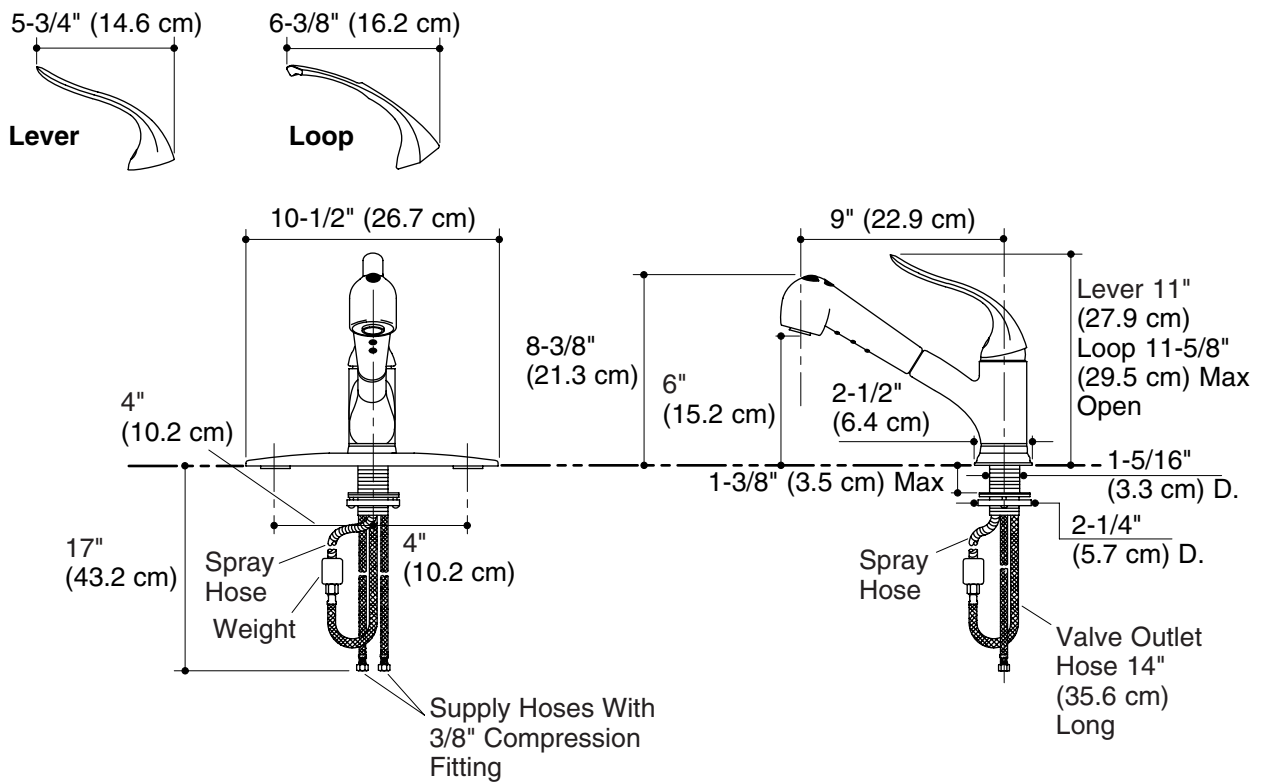
Optional Accessories		
1012715	Deep rough-in kit <i>Requires 1-7/16" (3.7 cm) to 1-1/2" (3.8 cm) diameter hole to accommodate 1-1/2" (3.8 cm) to 3-3/8" (8.6 cm) thick installations.</i>	<input type="checkbox"/> NA

## Installation Notes

Install this product according to the installation guide.

This product meets all local plumbing codes for vacuum breaker requirements.

All necessary parts included for both single-hole and three-hole installation.



## Product Diagram