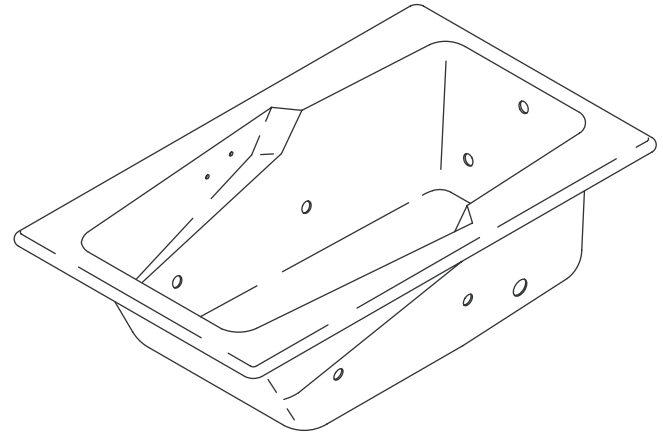


Features

- Cast iron with Safeguard® finish
- 1.5 hp variable speed pump with 1.5 kW heater, back-lit user keypad, and remote control
- 6 Flexjets™
- UL listed
- Less all trim
- Drilled for required grip rails
- Custom pump locations
- 60" (152.4 cm) x 36" (91.4 cm) x 20-3/8" (51.8 cm)

BATH WHIRLPOOL K-792-HB ALSO K-792-HE, K-792-HJ



Codes/Standards Applicable

Specified model meets or exceeds the following:

- IAPMO/UPC
- Underwriter's Laboratories (UL)
- ASME A112.19.1M
- ASME A112.19.7M

Colors/Finishes

- 0: White
- Other: Refer to Price Book for additional colors/finishes

Accessories:

- CP: Polished Chrome
- PB: Polished Brass
- Other: Refer to Price Book for additional colors/finishes

Specified Model

Model	Description	Colors/Finishes	
K-792-HB	Bath whirlpool custom pump	<input type="checkbox"/> 0	<input type="checkbox"/> Other_____
K-792-HE	Bath whirlpool custom pump	<input type="checkbox"/> 0	<input type="checkbox"/> Other_____
K-792-HJ	Bath whirlpool custom pump	<input type="checkbox"/> 0	<input type="checkbox"/> Other_____

Required Accessories				
K-9696	Jet trim kit	<input type="checkbox"/> CP	<input type="checkbox"/> PB	<input type="checkbox"/> Other_____
K-9623	Grip rails (pair)	<input type="checkbox"/> CP	<input type="checkbox"/> PB	<input type="checkbox"/> Other_____

Recommended Accessories				
K-7161-AF	Drain	<input type="checkbox"/> CP	<input type="checkbox"/> PB	<input type="checkbox"/> Other_____

Product Specification

The bath whirlpool shall be 60" (152.4 cm) in length, 36" (91.4 cm) in width, and 20-3/8" (51.8 cm) in height. Bath whirlpool shall be made of cast iron with Safeguard finish. Bath whirlpool shall have 6 Flexjets, 1.5 hp variable speed pump, 1.5 kW heater, back-lit user control, and custom pump locations. Bath whirlpool shall be UL listed. Bath whirlpool shall be less all trim. Bath whirlpool shall be drilled for K-9623 grip rails (required). Bath whirlpool shall be Kohler Model K-792-_____-_____.

STEEPING™

Technical Information

Fixture*:	
Weight	420 lbs (190.5 kg)
Basin area	43" (109.2 cm) x 19" (48.3 cm)
Top area	54" (137.2 cm) x 30" (76.2 cm)
Water depth	15" (38.1 cm) to overflow
Capacity	62 gal (234.7 L)
*Approximate measurements for comparison only.	

Pump	Heater	V	A*
1.5 hp	1.5 kW	240	11
* Approximate measurements for comparison only.			

Drop-in cut-out	58-1/2" (148.6 cm) x 34-1/2" (87.6 cm)
Cut-out for undermount	K-584 template
Minimum access panel (required):	
Pump/control	34" (86.4 cm) W x 15" (38.1 cm) H

Required Electrical Service

Dedicated circuit required, protected with Class A Ground-Fault Circuit-Interrupter (GFCI) or Earth-Leakage Circuit-Breaker (ELCB):

Pump/control 208-240 V, 20 A, 50/60 Hz

Installation Notes

Install this product according to the installation guide.

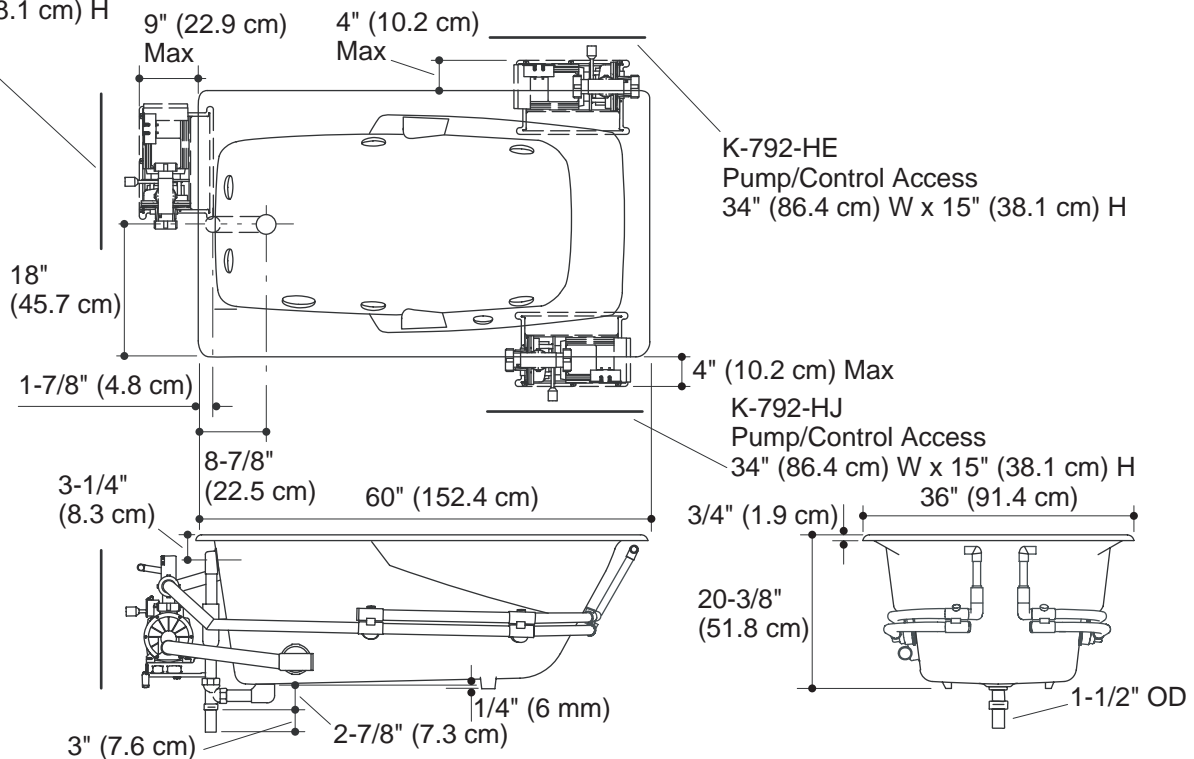
Cast iron whirlpools are extremely heavy, making some drop-in installations difficult. Splitting the deck/surround is recommended if installing into a deck.

Floor support under whirlpool must provide for a minimum of 1500 lbs (680.4 kg) loading.

Pump must be relocated to custom position at the time of the installation. Provide adequate clearance.

K-792-HB
Pump/Control Access
34" (86.4 cm) W x
15" (38.1 cm) H

No change in measurements if connected with drain illustrated. (K-7161-AF or K-7161M-AF)



Product Diagram