

UNDERCOUNTER SINK K-3181

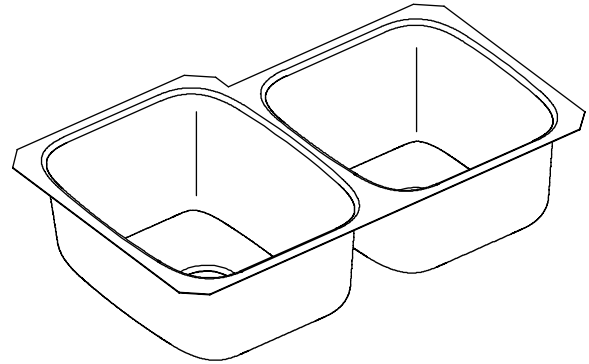
Features

- 18 gauge stainless steel
- Undercounter
- Double (large/medium) compartment
- Includes installation hardware
- 7-5/8" (19.4 cm) deep basins
- 29-1/2" (74.9 cm) x 15-3/4" (40 cm)

Codes/Standards Applicable

Specified model meets or exceeds the following:

- ASME A112.19.3
- IAPMO/UPC
- CSA B45



Colors/Finishes

- NA: None applicable

Accessories:

- CP: Polished Chrome
- ST: Stainless Steel
- Other: Refer to Price Book for additional colors/finishes
- NA: None applicable

Specified Model

Model	Description	Colors/Finishes
K-3181	Undercounter sink	<input type="checkbox"/> NA
Optional Accessories		
K-3119	Hardwood cutting board (for medium basin)	<input type="checkbox"/> NA
K-3132	Stainless steel bottom basin rack (for large basin)	<input type="checkbox"/> ST
K-3129	Stainless steel bottom basin rack (for medium basin)	<input type="checkbox"/> ST
K-8801	Duostrainer® sink strainer	<input type="checkbox"/> CP <input type="checkbox"/> Other_____
K-8813	Stainless steel sink strainer with tailpiece	<input type="checkbox"/> CP
K-8814	Stainless steel sink strainer less tailpiece	<input type="checkbox"/> CP

Product Specification

The undercounter sink shall be 29-1/2" (74.9 cm) in length and 15-3/4" (40 cm) in width. Basins shall be 7-5/8" (19.4 cm) deep. Sink shall be made of 18 gauge stainless steel. Sink shall be double (large/medium) compartment. Sink shall include installation hardware. Sink shall be Kohler Model K-3181.

UNDERTONE™

Technical Information

Fixture*:	Basin area	Water depth
Sink, left	14-1/2" (36.8 cm) x 18-1/2" (47 cm)	7-5/8" (19.4 cm)
Sink, right	14-1/2" (36.8 cm) x 15-3/4" (40 cm)	7-5/8" (19.4 cm)
Drain holes	3-5/8" (9.2 cm) D.	

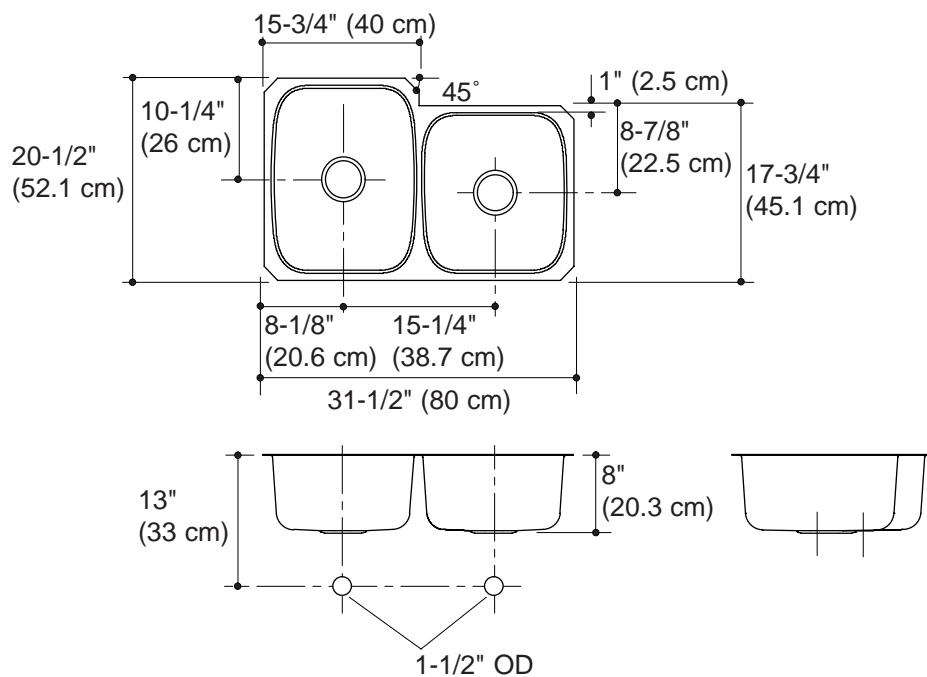
* Approximate measurements for comparison only.

Included components:	
Hardware kit	91915
Cut-out template	1016733-7

Installation Notes

Install this product according to the installation guide.

Allow a minimum of 2" (5.1 cm) clearance around the sink rim for clip attachment.



Product Diagram