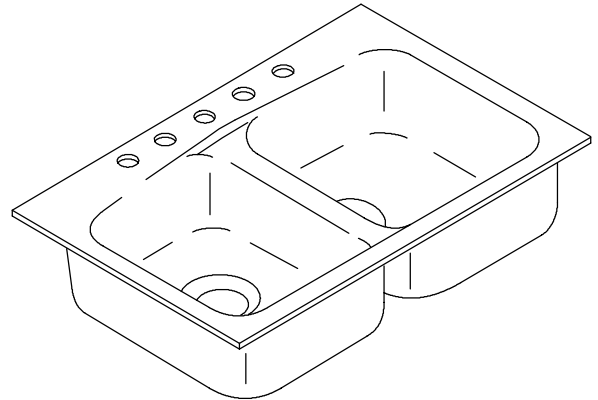


FEATURES

- 33" (83.8cm) x 22" (55.9cm)
- Cast iron
- Acid resistant enamel finish
- Tile-in
- Double (equal) compartment
- 4-hole (K-5898-4), or 5-hole (K-5898-5) drilling



CODES/STANDARDS APPLICABLE

Specified model meets or exceeds the following:

- ASME/ANSI A112.19.1M
- IAPMO/UPC
- Canadian Standards Association (CSA)
- State of Massachusetts

COLORS/FINISHES

- 0 White
- Other Refer to Fixtures Price Book for additional colors

Accessories:

- CP Polished Chrome
- 0 White
- NA None Applicable
- Other Refer to Price Book for additional colors

SPECIFIED MODEL:

| Model | Description | Colors/Finishes | |
|----------|-------------|----------------------------------|--------------------------------------|
| K-5986-4 | 4-hole sink | <input type="checkbox"/> 0 White | <input type="checkbox"/> Other _____ |
| K-5986-5 | 5-hole sink | <input type="checkbox"/> 0 White | <input type="checkbox"/> Other _____ |

| Recommended Accessories | | | |
|-------------------------|----------------------------|----------------------------------|--------------------------------------|
| K-9000 | Trap | <input type="checkbox"/> CP | |
| Optional Accessories | | | |
| K-6507 | Hardwood cutting board | <input type="checkbox"/> NA | |
| K-6510 | Wire rinse basket | <input type="checkbox"/> 0 White | <input type="checkbox"/> Other _____ |
| K-6010 | Bottom basin rack | <input type="checkbox"/> 0 White | <input type="checkbox"/> Other _____ |
| K-8801 | Duostrainer® sink strainer | <input type="checkbox"/> CP | <input type="checkbox"/> Other _____ |

PRODUCT SPECIFICATION:

The tile-in sink shall be 33" (83.8cm) in length and 22" (55.9cm) in width. Sink shall be made of cast iron with acid resistant enamel finish. Sink shall be double (equal) compartment. Sink shall be 4-hole (K-5898-4), or 5-hole (K-5898-5) drilled. Sink shall be Kohler Model K-5998-_____.

BROOKFIELD™

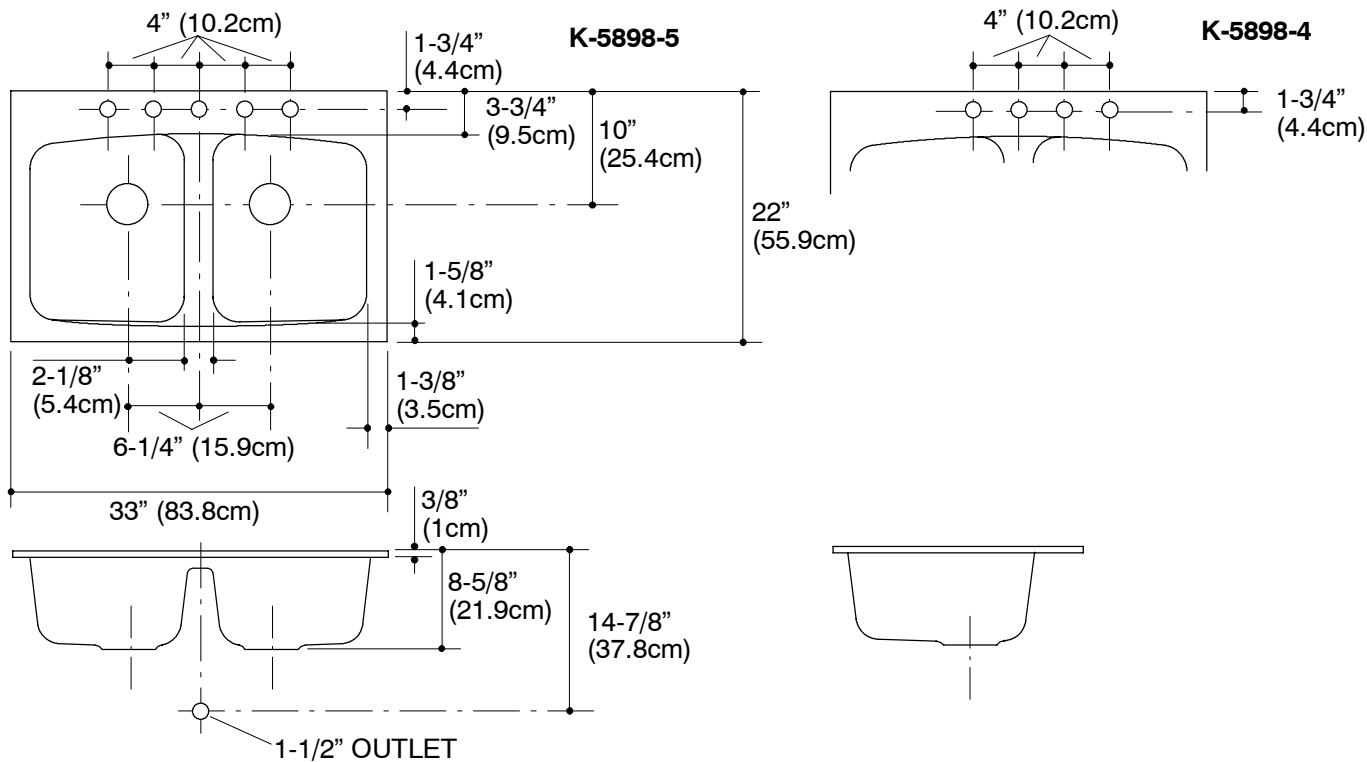
PRODUCT INFORMATION

| Fixture*: | basin area | water depth |
|---|-----------------------------|-----------------|
| Sinks | 14" (35.6cm) x 17" (43.2cm) | 6-3/4" (17.1cm) |
| Outlet | 3-7/8" (9.8cm) D. | |
| Faucet holes | 1-3/8" (3.5cm) D. | |
| * Approximate measurements for comparison only. | | |

INSTALLATION NOTES

Install this product according to the installation guide.

Cutout is 31-7/8" (81cm) x 20-3/4" (52.7cm) with 1-1/2" radius (3.8cm) corners.



PRODUCT DIAGRAM