

TILE-IN KITCHEN SINK K-5864

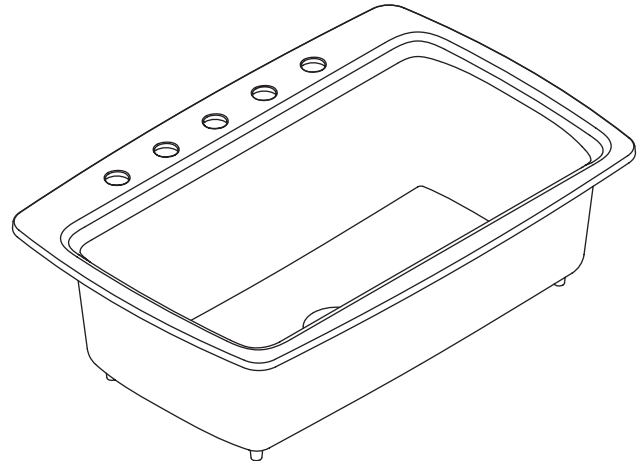
Features

- Cast iron
- Acid resistant enamel finish
- Tile-in
- Single compartment
- 33" (83.8 cm) x 22" (55.9 cm)
- 2-hole (K-5864-2), 3-hole (K-5864-3), 4-hole (K-5864-4), 5-hole (K-5864-5)

Codes/Standards Applicable

Specified model meets or exceeds the following:

- ASME A112.19.1
- IAPMO/UPC
- State of Massachusetts



Colors/Finishes

- 0: White
- Other: Refer to Price Book for additional colors/finishes

Accessories:

- CP: Polished Chrome
- NA: None applicable
- Other: Refer to Price Book for additional colors/finishes

Specified Model

Model	Description	Colors/Finishes	
K-5864-2	2-hole sink	<input type="checkbox"/> 0 White	<input type="checkbox"/> Other_____
K-5864-3	3-hole sink	<input type="checkbox"/> 0 White	<input type="checkbox"/> Other_____
K-5864-4	4-hole sink	<input type="checkbox"/> 0 White	<input type="checkbox"/> Other_____
K-5864-5	5-hole sink	<input type="checkbox"/> 0 White	<input type="checkbox"/> Other_____

Recommended Accessories			
K-9000	Trap		<input type="checkbox"/> CP

Optional Accessories			
K-6637	Hardwood cutting board		<input type="checkbox"/> NA
K-8801	Duostrainer® sink strainer	<input type="checkbox"/> CP	<input type="checkbox"/> Other_____

Product Specification:

The tile-in sink shall be 33" (83.8 cm) in length, and 22" (55.9 cm) in width. Sink shall be made of cast iron with acid resistant enamel finish. Sink shall be single compartment. Sink shall be 2-hole (K-5864-2), 3-hole (K-5864-3), 4-hole (K-5864-4), or 5-hole (K-5864-5) drilled. Sink shall be Kohler Model K-5864-_____-_____.

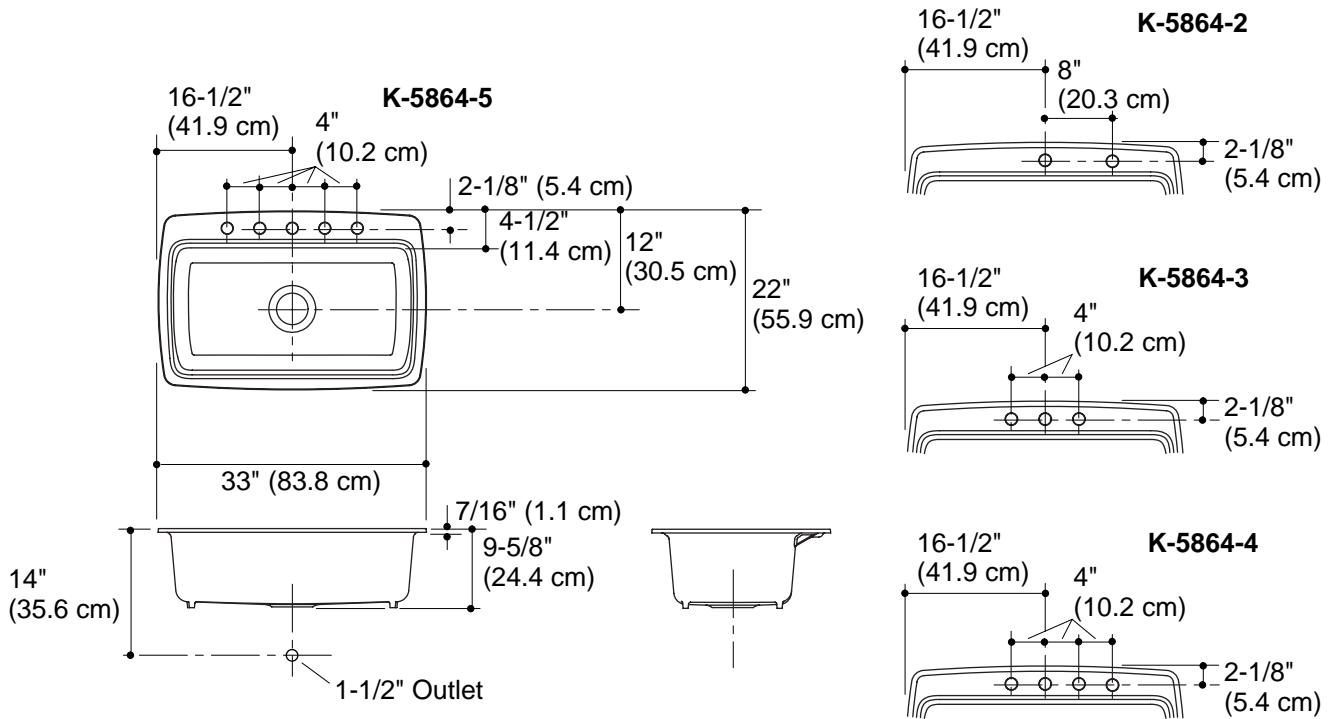
CAPE DORY™

Technical Information

Fixture:*	basin area	water depth
Sink	29" (73.7 cm) x 15" (38.1 cm)	9" (22.9 cm)
Drain hole	3-5/8" D. (9.2 cm)	
Faucet holes	1-3/8" D. (3.5 cm)	
Cutout	30-1/2" (77.5 cm) x 20-1/8" (50.8 cm) with 1-1/2" (3.8 cm) radius corners.	
* Approximate measurements for comparison only.		

Installation Notes

Install this product according to the installation guide.



Product Diagram