

ENTERTAINMENT SINK K-6490

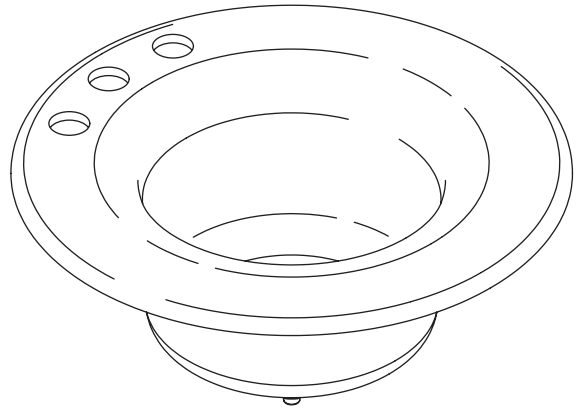
Features

- KOHLER cast iron
- Self-rimming
- Acid-resistant enamel finish
- Available with 1-, 2-, or 3-hole
- Includes cutting board, drink tray, and ice mold
- 22" (55.9 cm) D.

Codes/Standards Applicable

Specified model meets or exceeds the following:

- ASME A112.19.1
- CSA B45
- IAPMO/cUPC



Colors/Finishes

- 0: White
- Other: Refer to Price Book for additional colors/finishes

Accessories:

- ST: Stainless Steel
- 0: White
- NA: None applicable

Specified Model

| Model | Description | Colors/Finishes | |
|----------|--------------------------------------------|----------------------------|-------------------------------------|
| K-6490-1 | Entertainment sink with single faucet hole | <input type="checkbox"/> 0 | <input type="checkbox"/> Other_____ |
| K-6490-2 | Entertainment sink with two faucet holes | <input type="checkbox"/> 0 | <input type="checkbox"/> Other_____ |
| K-6490-3 | Entertainment sink with three faucet holes | <input type="checkbox"/> 0 | <input type="checkbox"/> Other_____ |

| Included Accessories | | | |
|----------------------|---------------|--|-----------------------------|
| K-6154 | Drink tray | | <input type="checkbox"/> ST |
| K-6155 | Ice mold | | <input type="checkbox"/> NA |
| K-6156 | Cutting board | | <input type="checkbox"/> 0 |

Product Specification

The self-rimming cast iron entertainment sink shall be 22" (55.9 cm) in diameter. Sink shall have acid-resistant enamel finish. Sink shall be single-hole (-1), 2-hole (-2), or 3-hole (-3). Sink shall include cutting board, drink tray, and ice mold. Sink shall be Kohler Model K-6490-_____-_____.

CORDIAL™

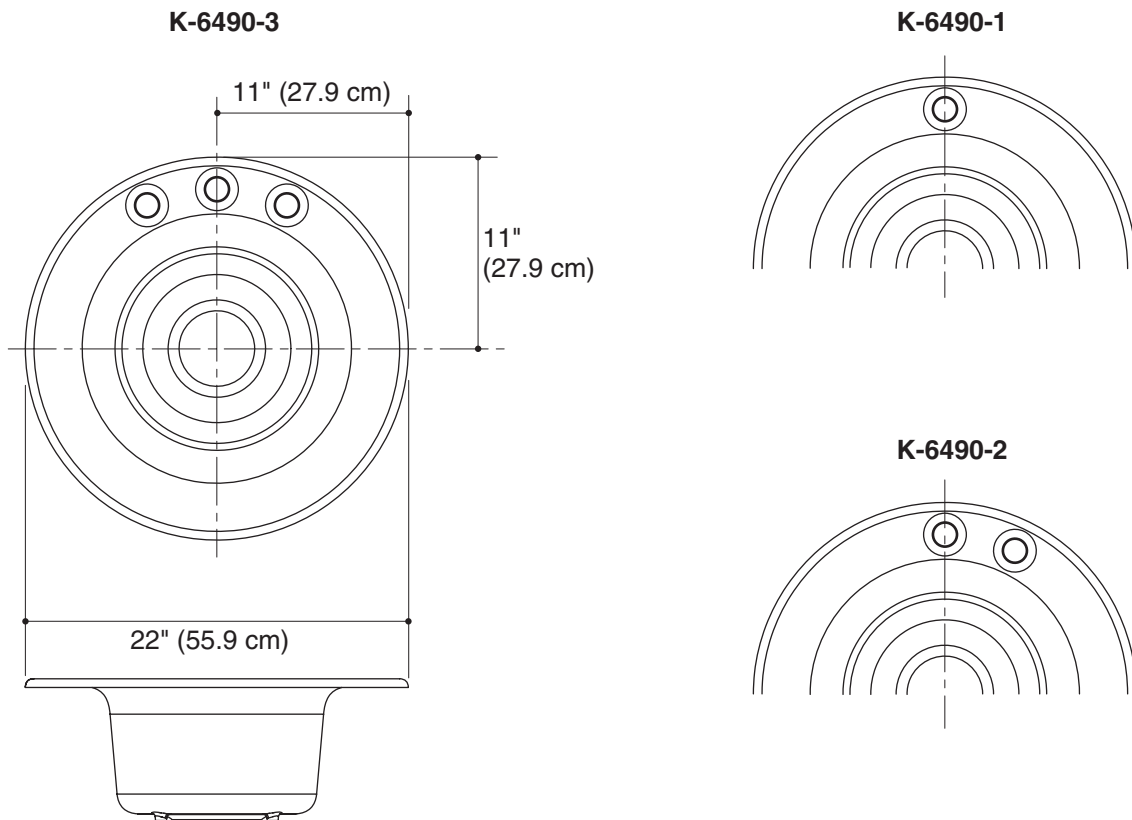
Technical Information

| | |
|-------------------------------------------------|--------------------|
| Fixture*: | |
| Basin area | 12" (30.5 cm) D. |
| Water depth | 7-1/2" (19.1 cm) |
| Drain hole | 3-7/8" (9.8 cm) D. |
| Faucet holes | 1-3/8" (3.5 cm) D. |
| * Approximate measurements for comparison only. | |

| | |
|----------------------|-----------|
| Included components: | |
| Cut-out template | 1088501-7 |

Installation Notes

Install this product according to the installation guide.



Product Diagram