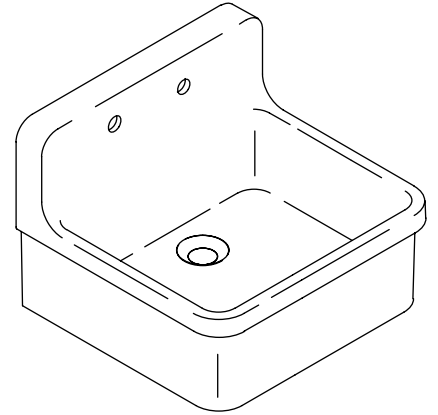


Features

- Single compartment
- With integral apron
- Vitreous china
- A two-hole faucet drilling
- Wall-mount or self-rimming installation
- 30" (76.2 cm) x 22" (55.9 cm) x 8-5/8" (21.9 cm)

APRON-FRONT KITCHEN SINK K-12700



Codes/Standards Applicable

Specified model meets or exceeds the following:

- ASME A112.19.2
- IAPMO/UPC

Colors/Finishes

- 0: White
- Other: Refer to Price Book for additional colors/finishes

Accessories

- 0: White
- CP: Polished Chrome
- PB: Vibrant® Polished Brass
- NA: None applicable
- Other: Refer to Price Book for additional colors/finishes

Specified Model

Model	Description	Colors/Finishes		
K-12700	8" (20.3 cm) centers sink	<input type="checkbox"/> 0	<input type="checkbox"/> Other _____	
Recommended Accessories				
K-1814-P	Wall brackets	<input type="checkbox"/> NA		
K-9000	P-trap	<input type="checkbox"/> CP		
Optional Accessories				
K-5917	Countertop hardwood cutting board	<input type="checkbox"/> NA		
K-6002	Bottom basin rack	<input type="checkbox"/> 0	<input type="checkbox"/> Other _____	
K-8801	Sink strainer	<input type="checkbox"/> CP	<input type="checkbox"/> PB	<input type="checkbox"/> Other _____

Product Specification

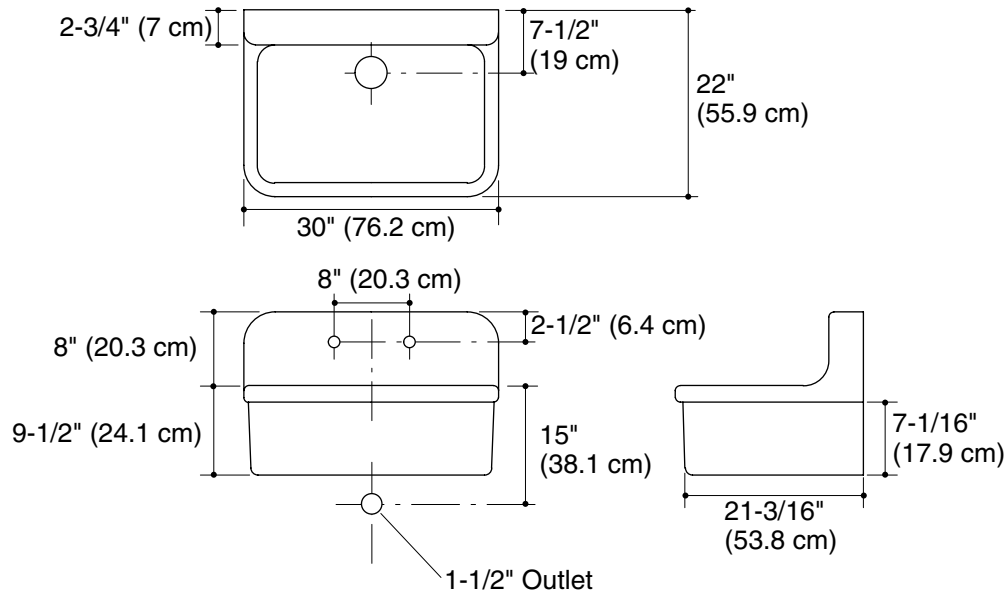
The sink shall be 30" (76.2 cm) in length, 22" (55.9 cm) in width, and 8-5/8" (21.9 cm) in depth. The sink shall be made of vitreous china. The sink shall have wall-mount or self-rimming installation with integral apron. The sink shall be single compartment. The sink shall feature a two-hole faucet drilling. The sink shall be Kohler Model K-12700-_____.

Technical Information

Fixture*:	
Sink	
Basin area	28" (71.1 cm) x 18" (45.7 cm)
Water depth	8-5/8" (21.9 cm)
Outlet:	
3-5/8" (9.2 cm) D.	
* Approximate measurements for comparison only.	

Installation Notes

Install this product according to the installation guide.



Product Diagram