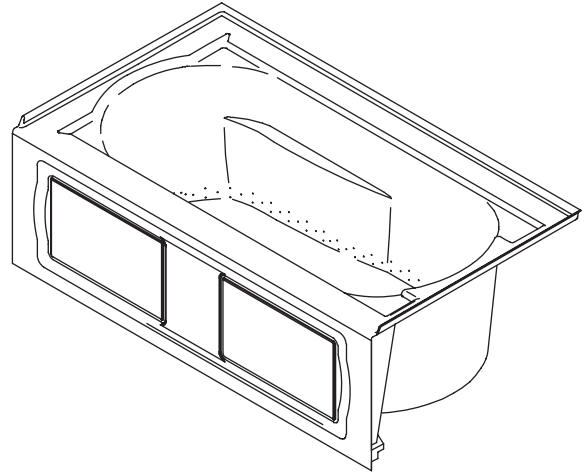


DEVONSHIRE® 5' BUBBLEMASSAGE™

Features

- *UL listed*
- *Integral apron with removable access panel*
- *Acrylic*
- *Molded lumbar supports and armrests*
- *120 BubbleMassage™ airjets*
- *1 hp blower motor with 300 W heater, and electronic user control*
- *Integral tile flange*
- *Left or right drain*
- *Blower motor is supplied with a grounding-type plug-in cord*
- *60" (152.4 cm) x 32" (81.3 cm) x 20" (50.8 cm)*

BATH WITH AIRJETS, WITH INTEGRAL APRON **K-1357-GLA** ALSO K-1357-GRA



Codes/Standards Applicable

Specified model meets or exceeds the following:

- *ANSI Z124.1*
- *IAPMO/UPC IGC 171*
- *Underwriter's Laboratories (UL)*

Colors/Finishes

- 0: White
- Other: Refer to Price Book for additional colors/finishes

Accessories:

- CP: Polished Chrome
- PB: Polished Brass
- Other: Refer to Price Book for additional colors/finishes

Specified Model

Model	Description	Colors/Finishes		
K-1357-GLA	Bath with airjets, left drain, integral apron	<input type="checkbox"/> 0 White	<input type="checkbox"/> Other_____	
K-1357-GRA	Bath with airjets, right drain, integral apron	<input type="checkbox"/> 0 White	<input type="checkbox"/> Other_____	
Recommended Accessories				
K-7161-AF	Adjustable pop-up drain	<input type="checkbox"/> CP	<input type="checkbox"/> PB	<input type="checkbox"/> Other_____
K-1446	Remote blower installation kit	NA		

Product Specification

The bath with airjets shall be 60" (152.4 cm) in length, 32" (81.3 cm) in width, and 20" (50.8 cm) in height. Bath shall be made of acrylic and shall have an integral apron and tile flange. The apron shall have a removable access panel. Bath shall have integral lumbar supports and armrests. Drain outlet shall be optionally on the left or right. Bath shall have a 1 hp blower motor with 300 W heater and an electronic user control. Bath shall have 120 airjets. Bath shall be UL listed. The blower motor shall have a grounding-type plug-in cord. The bath with airjets shall be Kohler Model K-1357-G____-_____.

DEVONSHIRE® 5' BUBBLEMASSAGE™

Technical Information

Fixture:*	basin area	top area	weight
Bathing well	42" (106.7 cm) x 20" (50.8 cm)	51" (129.5 cm) x 24" (61 cm)	98 lbs. (44.5 kg)
To overflow	water depth	capacity	
	14" (35.6 cm)	60 gal. (227.1 L)	
* Approximate measurements for comparison only.			

Blower motor:	Heater	Voltage	Frequency	Amperage
1 Hp	300 W	120 V	60 Hz	5 A

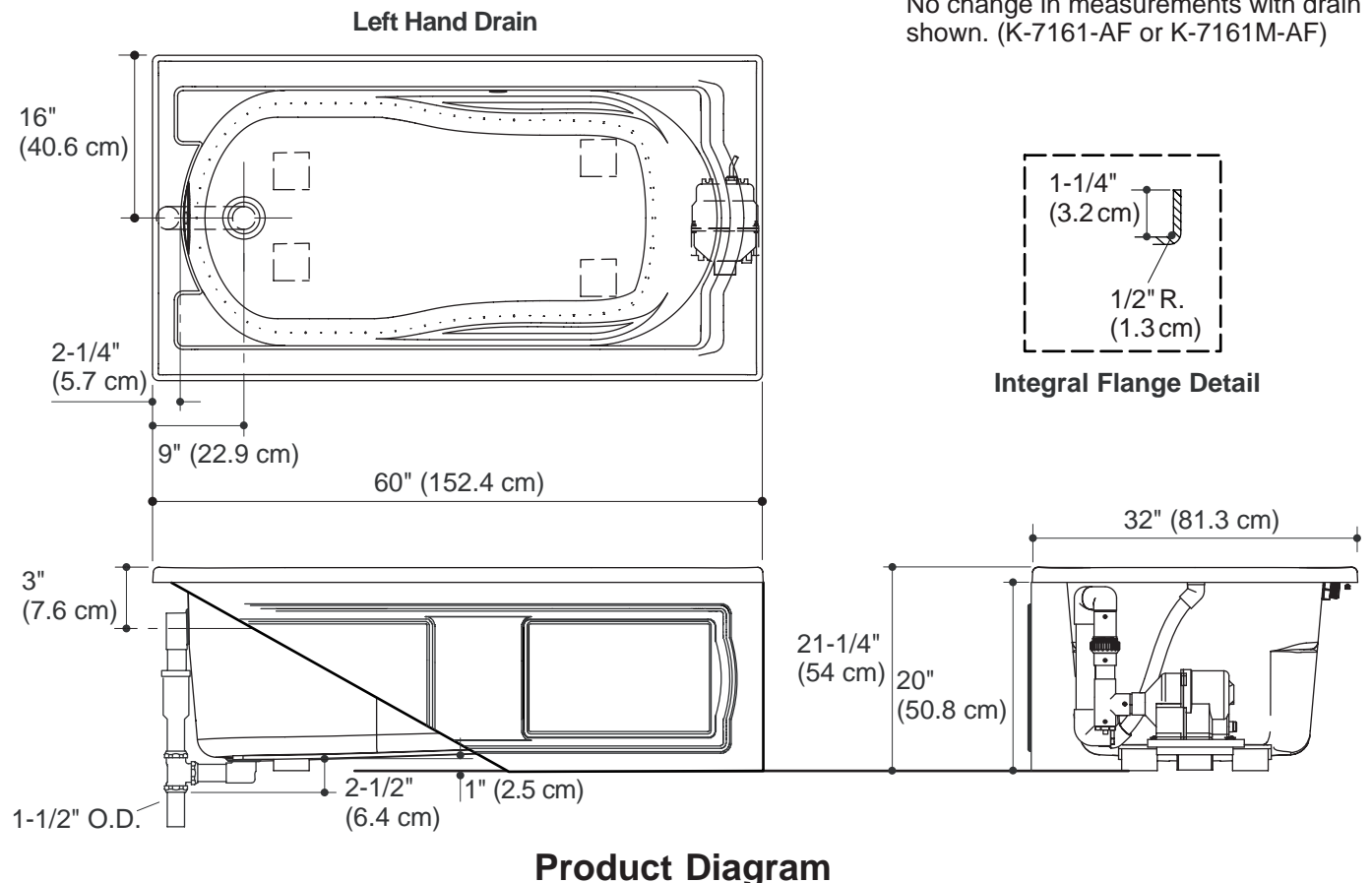
Required Electrical Service

Dedicated circuit required, protected with Class A Ground-Fault Circuit-Interrupter (GFCI):	
Blower motor	120 V, 15 A, 60 Hz
Blower motor is supplied with a 24" (61 cm) grounding-type plug-in cord.	

Installation Notes

Install this product according to the installation guide.

Floor support under the bath must provide for a minimum of 80 lbs/square foot (390 kg/square meter).



No change in measurements with drain shown. (K-7161-AF or K-7161M-AF)