

HOURGLASS® 32

ACRYLIC CUSTOM BATH WHIRLPOOL K-1209-CB

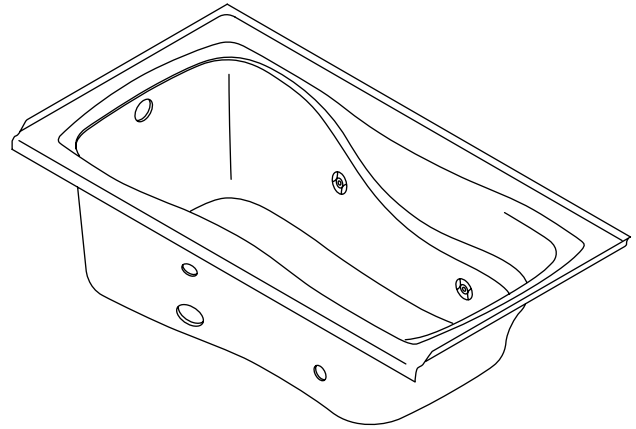
Features

- Acrylic
- Drop-in
- 1.25 hp pump with air switch and grounding-type plug-in cord
- Optional K-1717 timer kit
- Optional K-1278 removable apron
- Optional K-9694 trim kit in various metal finishes
- 4 individually adjustable ProFlex® hydro-massage jets
- 60" (152.4 cm) x 32" (81.3 cm) x 20" (50.8 cm)

Codes/Standards Applicable

Specified model meets or exceeds the following:

- ASME A112.19.7M
- ANSI Z124.1.2
- IAPMO/UPC
- Underwriters Laboratories (UL)



Colors/Finishes

- 0: White
- Other: Refer to Price Book for additional colors/finishes

Accessories:

- 0: White
- CP: Polished Chrome
- PB: Polished Brass
- NA: None applicable
- Other: Refer to Price Book for additional colors/finishes

Specified Model

Model	Description	Colors/Finishes		
K-1209-CB	Bath whirlpool, drop-in, custom pump	<input type="checkbox"/> 0	<input type="checkbox"/> Other_____	
Recommended Accessories				
K-7161-AF	Drain	<input type="checkbox"/> CP	<input type="checkbox"/> PB	<input type="checkbox"/> Other_____
Optional Accessories				
K-1278	Separate apron with removable panel for front access	<input type="checkbox"/> NA	<input type="checkbox"/> 0	<input type="checkbox"/> Other_____
K-1717	Timer kit	<input type="checkbox"/> NA		
K-9694	Jet trim kit (metal finishes)		<input type="checkbox"/> CP	<input type="checkbox"/> PB <input type="checkbox"/> Other_____

Product Specification

The acrylic drop-in bath whirlpool shall be 60" (152.4 cm) in length, 32" (81.3 cm) in width, and 20" (50.8 cm) in height. The whirlpool bath shall have 4 individually adjustable ProFlex® hydro-massage jets, a 1.25 hp pump with air switch and grounding-type plug-in cord. The whirlpool bath shall have an optional K-1278 removable apron, an optional K-9694 jet trim kit in various metal finishes, and an optional K-1717 timer kit. The bath whirlpool shall be Kohler Model K-1209-CB-_____.

HOURGLASS® 32

Technical Information

Fixture*:	
Basin area:	
Bathing well	47" (119.4 cm) x 20" (50.8 cm)
Top area	53" (134.6 cm) x 23" (58.4 cm)
To overflow:	
Water depth	14-1/2" (36.8 cm)
Capacity	64 gal (242.3 L)
Weight	100 lbs (45.4 kg)
Drop-in cut-out	58-1/2" (148.6 cm) x 30-1/2" (77.5 cm)
* Approximate measurements for comparison only.	

Pump:	Hp	V	Hz	A
1-speed	1.25	120	60	7.5

Required Electrical Service

Dedicated circuit required, protected with Class A Ground-Fault Circuit-Interrupter (GFCI):	
Pump/control	120 V, 15 A, 60 Hz
Locate the outlet behind the whirlpool and within 24" (61 cm) of the pump.	

Installation Notes

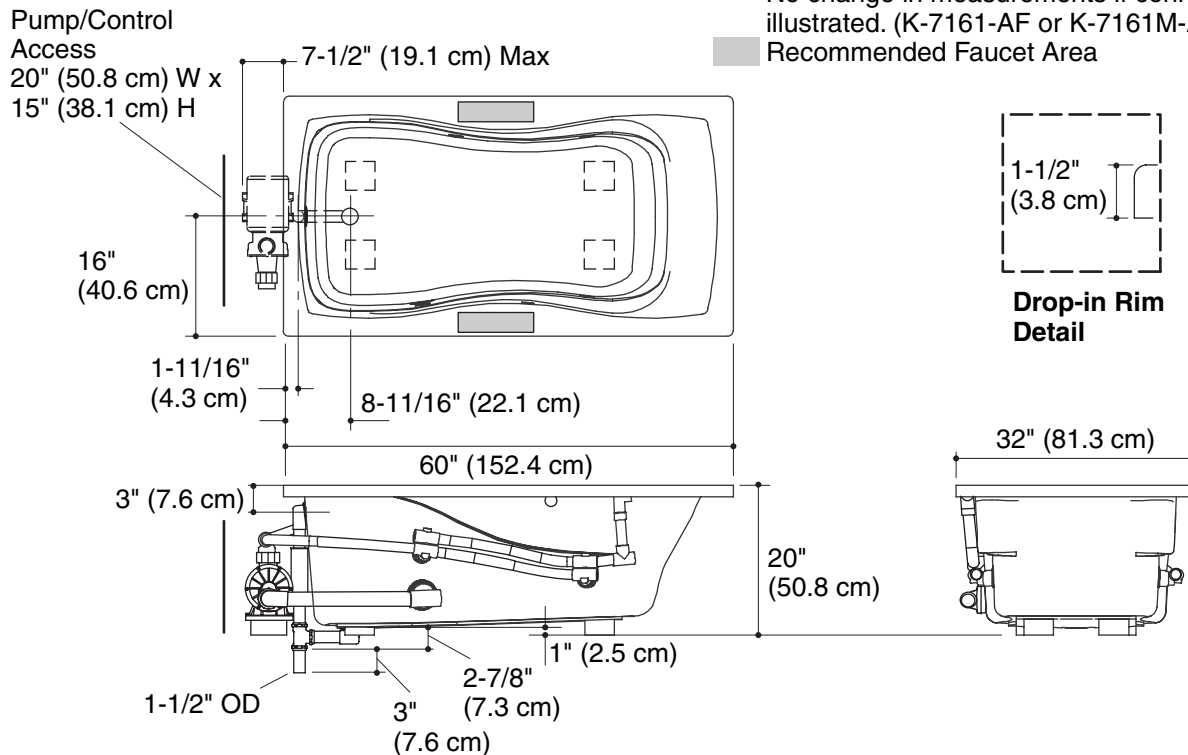
Install this product according to the installation guide.

Floor support under whirlpool must provide for a minimum of 49 lbs/square foot (241 kg/square meter) loading.

If installing a rim-mount faucet, make sure there is no interference with the drain overflow and circulating system before drilling any holes. Consult local and national codes for minimum air gap requirements if installing a spout on the faucet deck.

The apron must be installed before the finished floor and wall materials are installed.

Pump must be relocated to custom position at the time of installation. Provide adequate clearance.



Product Diagram