

### Features

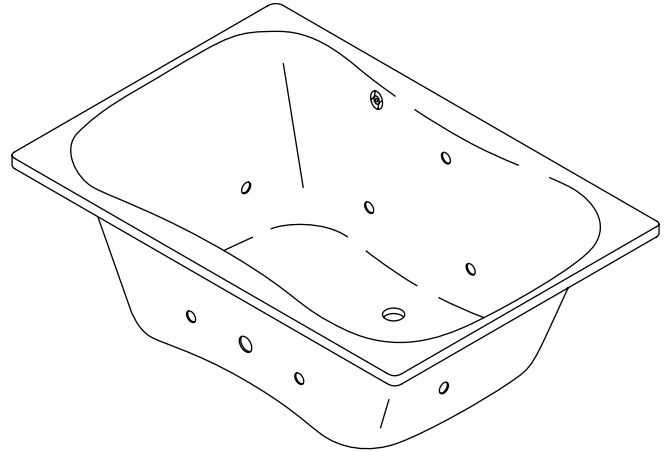
- Acrylic
- 6 Flexjets™
- Less all trim
- 1.5 hp variable-speed pump with 1.5 kW heater and back-lit user keypad
- Left- or right-hand pump
- 72" (182.9 cm) x 42" (106.7 cm) x 24-1/2" (62.2 cm)

### Codes/Standards Applicable

Specified model meets or exceeds the following:

- ASME A112.19.7M
- ANSI Z124.1.2
- IAPMO/UPC
- Underwriters Laboratories (UL)

### 6' x 24" BATH WHIRLPOOL K-1368-H2 ALSO K-1369-H2



### Colors/Finishes

- 0: White
- Other: Refer to Price Book for additional colors/finishes

### Accessories

- 0: White
- CP: Polished Chrome
- PB: Vibrant® Polished Brass
- NA: None applicable
- Other: Refer to Price Book for additional colors/finishes

### Specified Model

Model	Description	Colors/Finishes	
K-1368-H2	Bath whirlpool, pump on left (shown)	<input type="checkbox"/> 0	<input type="checkbox"/> Other_____
K-1369-H2	Bath whirlpool, pump on right	<input type="checkbox"/> 0	<input type="checkbox"/> Other_____
<b>Required Accessories</b>			
K-9696	Jet trim kit	<input type="checkbox"/> CP	<input type="checkbox"/> PB <input type="checkbox"/> Other_____
<b>Recommended Accessories</b>			
K-7161-AF	Pop-up drain	<input type="checkbox"/> CP	<input type="checkbox"/> PB <input type="checkbox"/> Other_____

### Product Specification

The acrylic bath whirlpool shall be 72" (182.9 cm) in length, 42" (106.7 cm) in width, and 24-1/2" (62.2 cm) in height. The bath whirlpool shall have six Flexjets, a 1.5 hp variable-speed pump, a 1.5 kW heater, and back-lit user keypad. The bath whirlpool shall include a left- or right-hand pump and shall be less all trim. The bath whirlpool shall be Kohler Model K-\_\_\_\_\_-\_\_\_\_\_-\_\_\_\_\_.

# INFINITY ∞ BATH™

## Optional Accessories

K-1491	Pillow	<input type="checkbox"/> 0	<input type="checkbox"/> Other _____
K-1601	Footstop	<input type="checkbox"/> 0	<input type="checkbox"/> Other _____
K-1703	Remote control		<input type="checkbox"/> NA

## Technical Information

Fixture*:	
Basin area:	
Bathing well	48" (121.9 cm) x 29" (73.7 cm)
Top area	66" (167.6 cm) x 36" (91.4 cm)
To overflow:	
Water depth	18" (45.7 cm)
Capacity	118 gal (446.7 L)
Weight	170 lbs (77.1 kg)
* Approximate measurements for comparison only.	

Pump:	Hp	kW	V	Hz	A
Variable speed	1.5	1.5	240	50/60	11

## Required Electrical Service

Dedicated circuit required, protected with Class A Ground-Fault Circuit-Interrupter (GFCI) or Earth-Leakage Circuit-Breaker (ELCB):

Pump/control	220/240 V, 20 A, 50/60 Hz
--------------	---------------------------

## Installation Notes

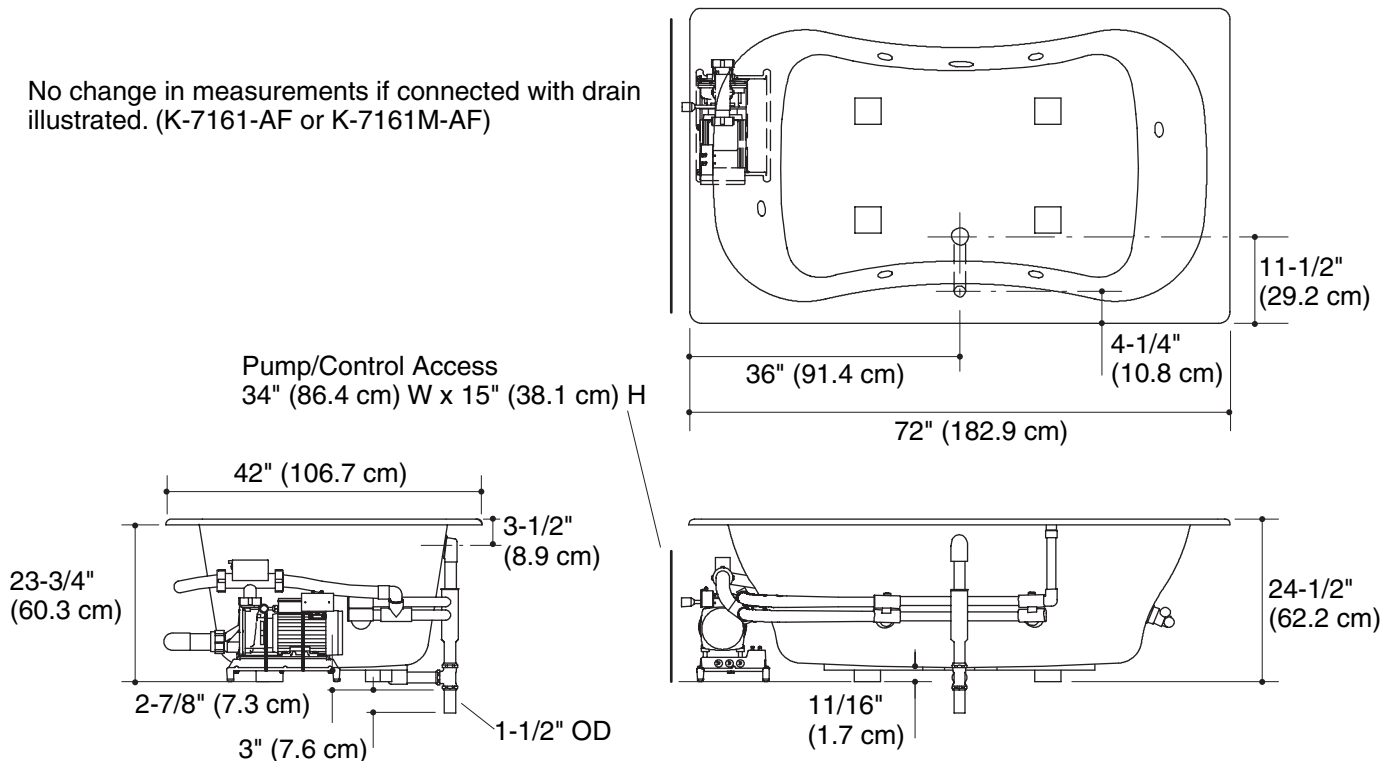
Install this product according to the installation guide.

Floor support under whirlpool must provide for a minimum of 56 lbs (274 kg).

Hot water supply should be 70% of capacity or greater. Installations will vary.

If installing a rim-mount faucet, make sure there is no interference with drain overflow and circulating system before drilling any holes. Consult local and national codes for minimum air gap requirements if installing a spout on the faucet deck.

No change in measurements if connected with drain illustrated. (K-7161-AF or K-7161M-AF)



## Product Diagram

INFINITY ∞ BATH™ 6' x 24" BATH WHIRLPOOL

Page 2 of 2  
1022372-4-B

THE BOLD LOOK  
OF **KOHLER**®