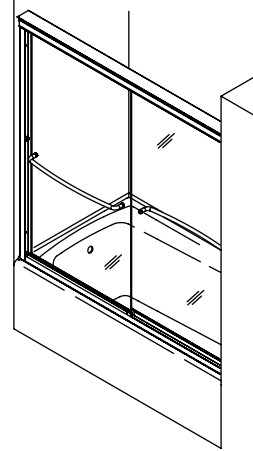


### Features

- CleanCoat™ glass coating
- Continuous door panel guide mechanism for smooth, quiet sliding action
- Out-of-plumb adjustability allows for easy installation
- Stainless steel hardware prevents rusting or corrosion
- Gently curved inside and outside towel bar
- Smooth, easy-to-clean wall jambs
- 1/4" (6 mm) thick tempered glass

### BYPASS BATH/SHOWER DOORS K-702200

ALSO K-702202, K-702204, K-702206



### Codes/Standards Applicable

Specified model meets or exceeds the following:

- ANSI Z97.1 (tempered glass)

### Glass Options

- L: Clear
- G53: Rhapsody
- G54: Falling Lines

### Frame Finishes/Colors:

- SHP: Polished Silver
- MX: Matte Nickel
- ABV: Brushed Bronze

### Specified Model

Model	Application	Glass Options			Frame Finishes/Colors		
K-702200	Bath	<input type="checkbox"/> L*	<input type="checkbox"/> G53	<input type="checkbox"/> G54*	<input type="checkbox"/> SHP	<input type="checkbox"/> MX	<input type="checkbox"/> ABV
K-702202	Bath	<input type="checkbox"/> L*	<input type="checkbox"/> G53	<input type="checkbox"/> G54*	<input type="checkbox"/> SHP	<input type="checkbox"/> MX	<input type="checkbox"/> ABV
K-702204	Bath	<input type="checkbox"/> L*	<input type="checkbox"/> G53	<input type="checkbox"/> G54*	<input type="checkbox"/> SHP	<input type="checkbox"/> MX	<input type="checkbox"/> ABV
K-702206	Shower	<input type="checkbox"/> L*	<input type="checkbox"/> G53	<input type="checkbox"/> G54*	<input type="checkbox"/> SHP	<input type="checkbox"/> MX	<input type="checkbox"/> ABV
K-702208	Shower	<input type="checkbox"/> L*	<input type="checkbox"/> G53	<input type="checkbox"/> G54*	<input type="checkbox"/> SHP	<input type="checkbox"/> MX	<input type="checkbox"/> ABV

\* L and G54 glass options only available with Polished Silver frame color

### Product Specification

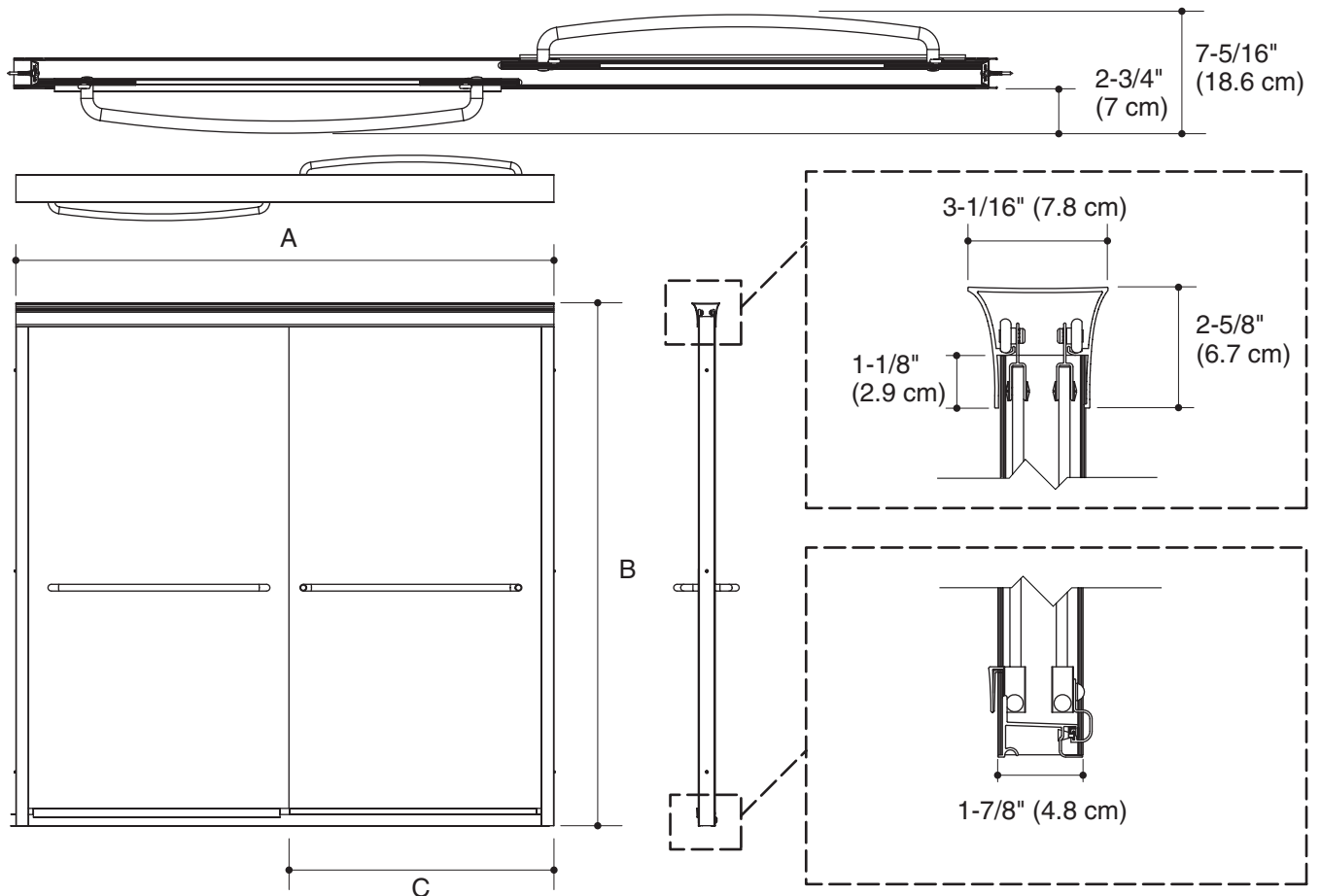
Bypass bath or shower door shall have 1/4" (6 mm) thick tempered safety glass and CleanCoat glass coating. Door shall have out-of-plumb adjustability for easy installation, stainless steel hardware to prevent rusting or corrosion, and gently curved inside and outside towel bar. Door shall have smooth, easy-to-clean wall jambs. Door shall have a continuous door panel guide mechanism for smooth, quiet sliding action. Door shall be Kohler Model K-\_\_\_\_\_-\_\_\_\_\_-\_\_\_\_\_.

# FLUENCE®

## Installation Notes

Install this product according to the installation guide.

Roughing-In Notes			
Model	A (Max)	B	C (Walk Through)
K-702200	59-5/8" (151.4 cm)	58-5/16" (148.1 cm)	27-7/8" (70.8 cm)
K-702202	57" (144.8 cm)	55-3/4" (141.6 cm)	26-5/8" (67.6 cm)
K-702204	59-5/8" (151.4 cm)	55-3/4" (141.6 cm)	27-7/8" (70.8 cm)
K-702206	59-5/8" (151.4 cm)	70-5/16" (180.2 cm)	27-7/8" (70.8 cm)
K-702208	47-5/8" (121 cm)	70-5/16" (180.2 cm)	21-7/8" (55.6 cm)



### Product Diagram