

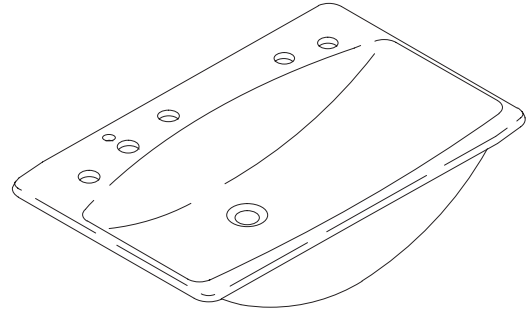
FEATURES

- 28" (71.1cm) x 19" (48.3cm)
- Cast iron
- Self-rimming
- With overflow
- ADA compliant

CODES/STANDARDS APPLICABLE

Specified model meets or exceeds the following:

- ADA
- ASME/ANSI A112.19.1M
- CABO/ANSI A117.1
- IAPMO/UPC
- Canadian Standards Association (CSA)
- State of Massachusetts



COLORS/FINISHES

- 0 White
- Other Refer to Fixtures Price Book for additional colors

Accessories:

- CP Polished Chrome
- Other Refer to Faucets Price Book for additional finishes

SPECIFIED MODEL:

Model	Description	Colors/Finishes	
K-2885-8S	8" (20.3cm) centers lavatory for swing spout	<input type="checkbox"/> 0 White	<input type="checkbox"/> Other _____
K-2885-1	Single-hole lavatory	<input type="checkbox"/> 0 White	<input type="checkbox"/> Other _____
K-2885-8	8" (20.3cm) centers centered lavatory	<input type="checkbox"/> 0 White	<input type="checkbox"/> Other _____

Recommended Accessories			
K-8998	Trap	<input type="checkbox"/> CP	<input type="checkbox"/> Other _____
Required Faucet (K-2885 only)			
K-6962-2	Alterna™ faucet	<input type="checkbox"/> CP	<input type="checkbox"/> Other _____

PRODUCT SPECIFICATION:

The self-rimming countertop lavatory shall be 28" (71.1cm) in length, and 19" (48.3cm) in width. Lavatory shall be made of cast iron. Lavatory shall have overflow. Lavatory shall be ADA compliant. Lavatory shall be Kohler Model K-2885-_____-_____.

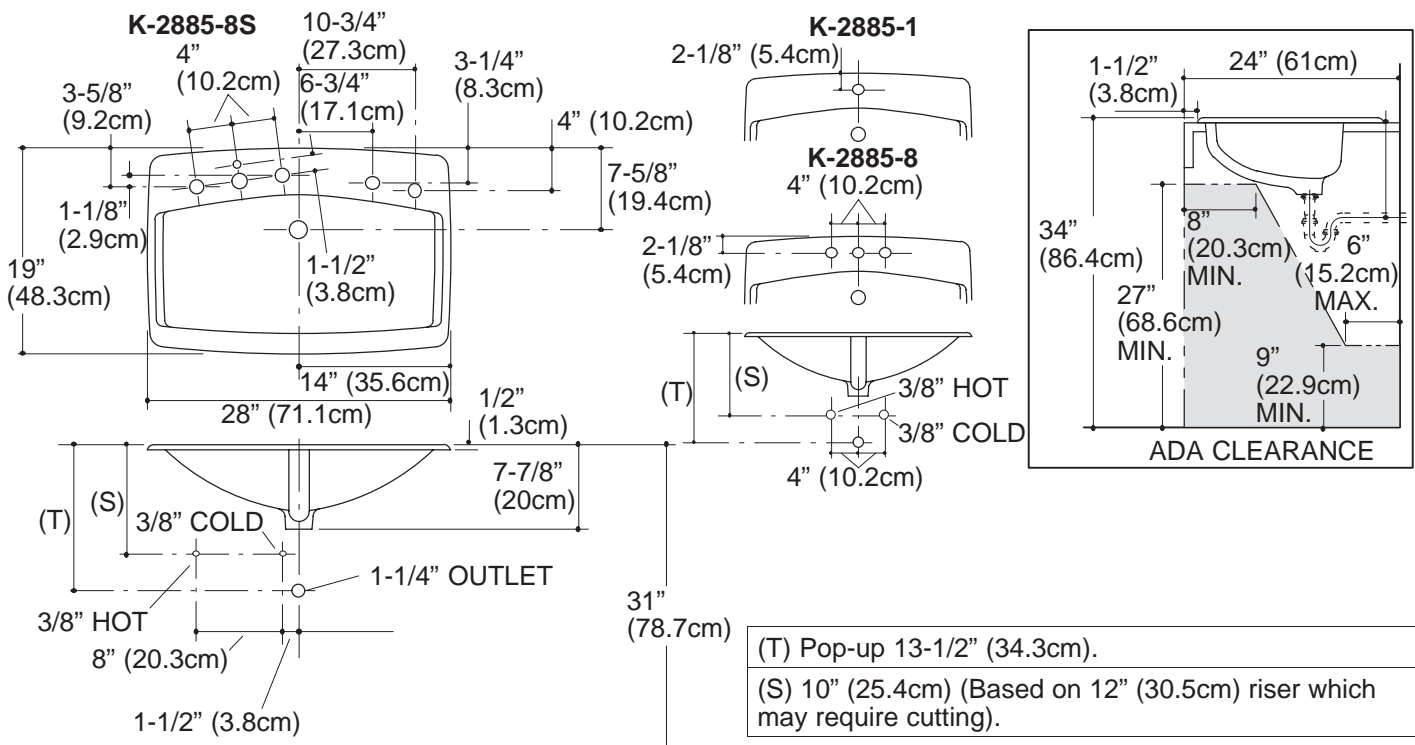
MAN'S LAV™

PRODUCT INFORMATION

ADA compliant.			
Fixture*:		basin area	water depth
Lavatory		24" (61cm) x 13" (33cm)	4-1/4" (10.8cm)
Drain hole	1-11/16" D. (4.3cm)		
* Approximate measurements for comparison only.			
Holes	K-2885-8S	K-2885-1	K-2885-8
Spout	1-3/8" D. (3.5cm)	1-3/8" D. (3.5cm)	1-1/8" D. (2.9cm)
Faucet	1-3/8" D. (3.5cm)		1-3/8" D. (3.5cm)
Lift rod	3/4" D. (1.9cm)		
Spray	1-1/4" D. (3.2cm)		
Liquid dispenser	1-1/4" D. (3.2cm)		

PRODUCT INFORMATION

Included Components:	
Overflow ferrule	44071
Cutout template	101090



PRODUCT DIAGRAM