

### BATEAU™ LAVATORY K-2273

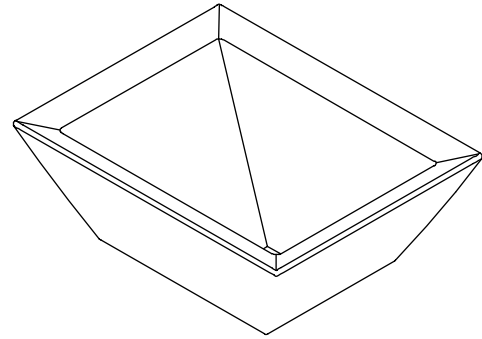
#### Features

- Vitreous china
- Above-the-counter
- 18-1/4" (46.4 cm) x 14-3/8" (36.5 cm)

#### Codes/Standards Applicable

Specified model meets or exceeds the following:

- ASME A112.19.2
- IAPMO/UPC
- CSA B45



#### Colors/Finishes

- 0: White
- Other: Refer to Price Book for additional colors/finishes

#### Accessories:

- CP: Polished Chrome
- NA: None applicable
- Other: Refer to Price Book for additional colors/finishes

#### Specified Model

Model	Description	Colors/Finishes	
K-2273	Bateau lavatory	<input type="checkbox"/> 0 White	<input type="checkbox"/> Other _____

Recommended Accessories			
K-9018	P-Trap	<input type="checkbox"/> CP	<input type="checkbox"/> Other _____
K-T196	Falling Water® faucet trim with 8-1/4" (21 cm) spout <b>OR</b>	<input type="checkbox"/> CP	<input type="checkbox"/> Other _____
K-T198	Falling Water faucet trim with 10-1/4" (26 cm) spout	<input type="checkbox"/> CP	<input type="checkbox"/> Other _____
K-307-K	Single control ceramic valve*	<input type="checkbox"/> NA	
K-7710	Drain <b>OR</b>	<input type="checkbox"/> CP	<input type="checkbox"/> Other _____
K-7715	Grid drain	<input type="checkbox"/> CP	<input type="checkbox"/> Other _____

\*Valve must be ordered to complete Falling Water faucet.

#### Product Specification

The lavatory with back shall be 18-1/4" (46.4 cm) in length and 14-3/8" (36.5 cm) in width. Lavatory shall be made of vitreous china. Lavatory shall be above-the-counter. Lavatory shall be Kohler Model K-2273-\_\_\_\_\_.

# VESSELS™

## Technical Information

Fixture*:	
Basin area	15" (38.1 cm) x 11" (27.9 cm)
Water depth	5-3/4" (14.6 cm)
Drain hole	1-3/4" (4.4 cm) D.
*Approximate measurements for comparison only.	
Included components:	
Cut-out template	1002979-7

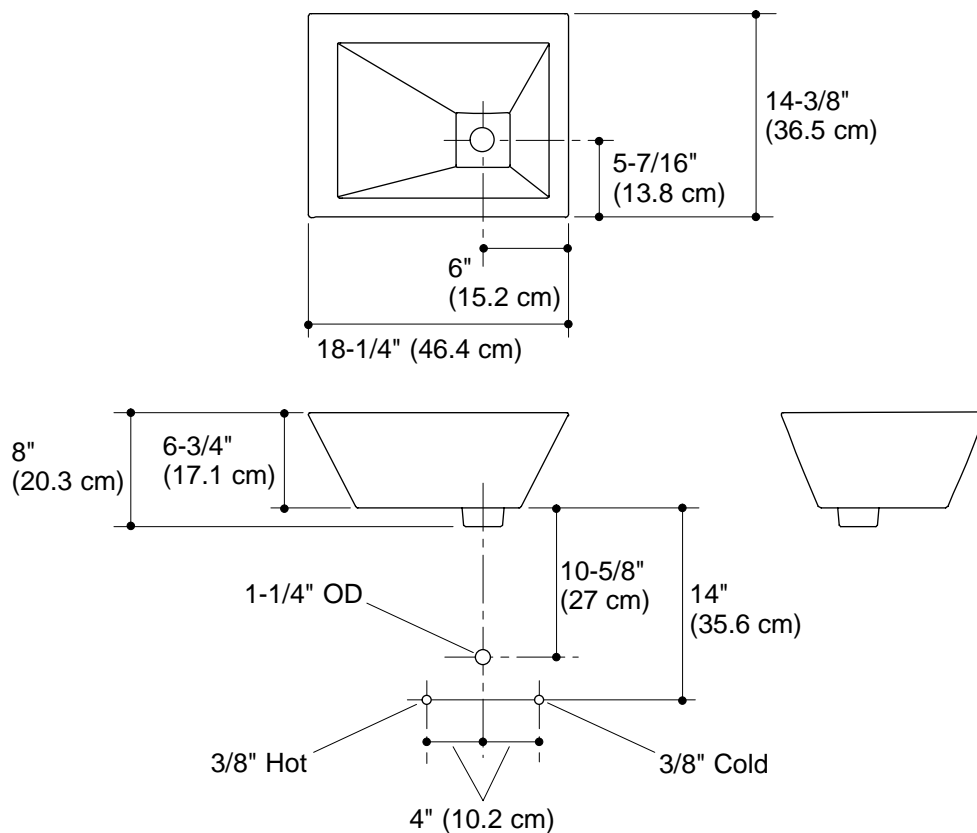
## Installation Notes

Install this product according to the installation guide.

Product does not have an overflow.

Spout must be a minimum of 8" (20.3 cm) long for adequate clearance into lavatory.

**IMPORTANT!** Product rests on countertop. Account for height of product when designing installation.



**Product Diagram**