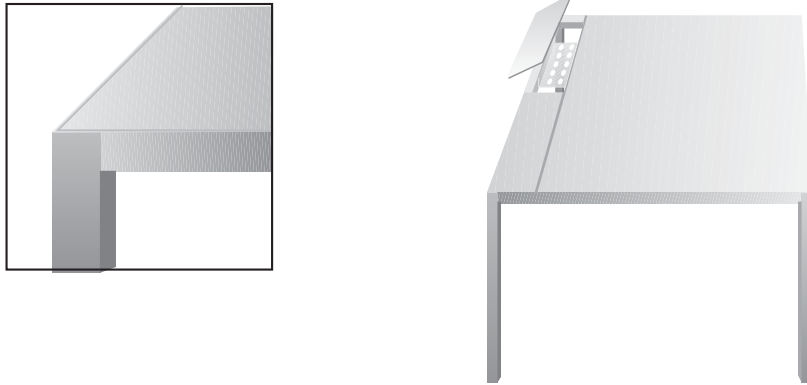


**H 75**

A family of equipped tables available in four configurations



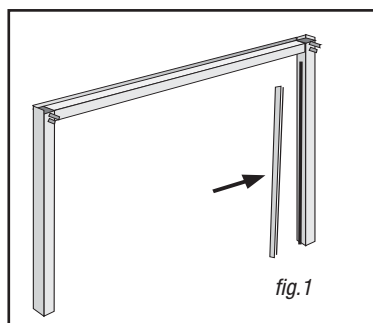
A family of equipped tables and console tables to be used both at work or at home, made by combining the natural anodized or polished aluminium of the frame with the various finishes of the top.

Four different configurations available.

They come with a bar to support the equipment, the drawer cabinets and/or the CPU cases (one for single tables, two for face-to-face tables). **Being the bar a standard option, equipment can be purchased afterwards.**

#### DESK WITH A SMALL OPENING AND ONE LEG FOR CABLE ACCESS

Tables in width 80 and 90 cm and lengths 160, 180, 200 and 220 cm, with one leg (right or left) which gives access to the cables in the inside (fig.1) and one small opening on the tabletop 9 cm off the edges to allow cable management complete with outlets tray. This small opening (dims 350x100mm) comes in anodized aluminium with a removable door and gasket; it is



always positioned at the same side of the leg with cable access. Upon request, a version with two legs for cable access is available.

#### DESK WITH TABLETOPS AND TWO LEGS FOR CABLE ACCESS

Tables in width 90 cm and lengths 160, 180, 200 and 220 cm, equipped with two legs (1 right and 1 left) which allow access to the cables in the inside, with sliding trays under the tabletops for cables and outlets and with two closing tabletops for cable management (fig.2).

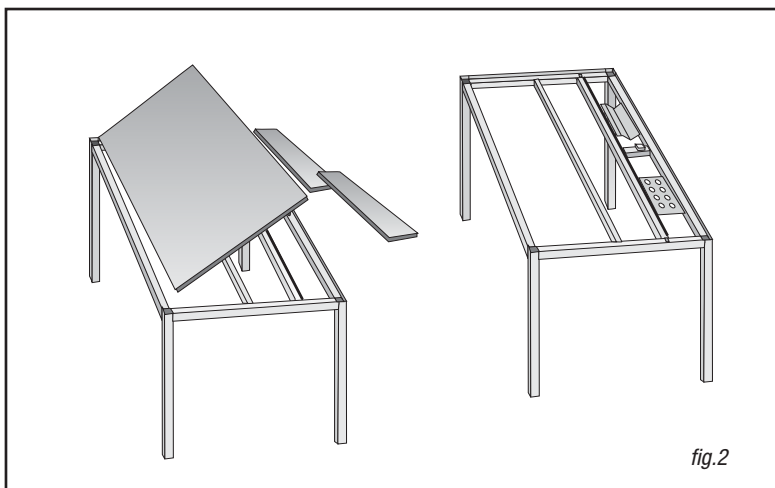
The trays (420x170 mm) of natural anodized aluminium, slide freely onto two supporting bars with gasket. The closing tabletops for cable management, in the

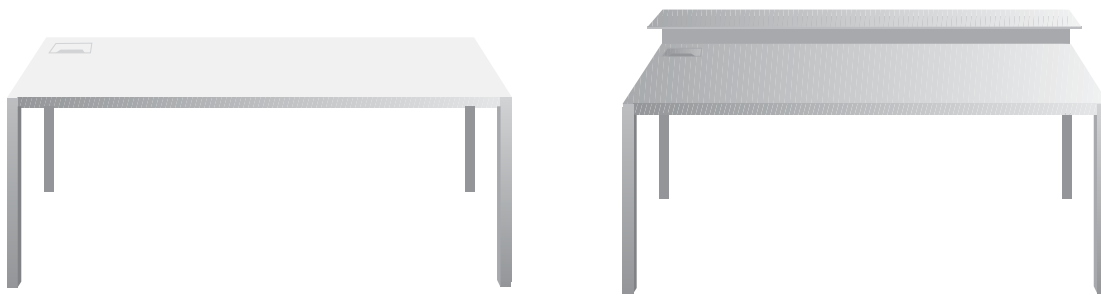
same finish of the tops, can be repositioned so as to give access to the connections. The tops allow the cables to exit freely.

#### FACE-TO-FACE DESK WITH TABLETOPS AND TWO LEGS FOR CABLE ACCESS

Tables in width 160 cm and lengths 160, 180, 200 and 220 cm, or 180x240 cm in size. Provided with:

- two legs (1 right and 1 left), allowing access to the cables in the inside,
- sliding trays (one for hiding cables and one for housing outlets accessible from both sides) (fig.3)
- two closing tabletops for cable management
- two U-shaped raceways for cable management (20x20mm) (fig.4)





The trays (420x236 mm) of natural anodized aluminium, slide freely onto two supporting bars with gasket. The closing tabletops for cable management, in the same finish of the tops, can be repositioned so as to give access to the connections. The tops allow the cables to exit freely.

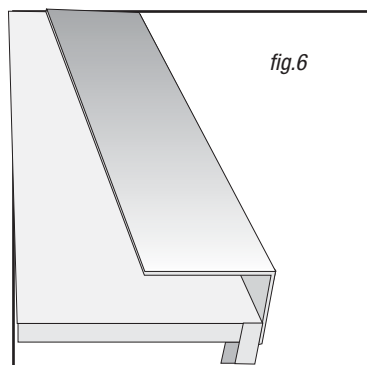
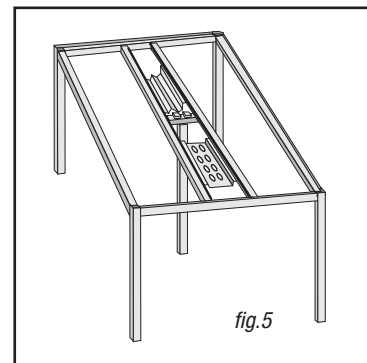
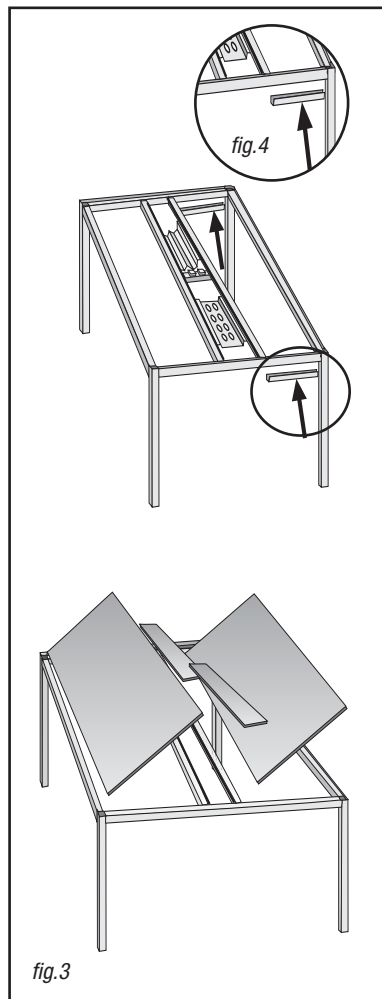
**Tables in lengths 200, 220, 240 cm always come with a central leg (5th leg) so as to assure tabletops to be perfectly flat (fig.5)**

**DESK WITH A SHELF AND A SMALL OPENING FOR CABLE ACCESS**

A table 80x160 or 80x160 cm in size, with one leg (right or left) which gives access to the cables in the inside and a small opening on the tabletop 9 cm off the edge to provide access to the cables complete with outlets tray. This small opening (dims 350x100 mm) comes in anodized aluminium with a removable door and gasket. It is always positioned at the same side of the cable leg. The table comes with a shelf (250 mm deep and at a height of 105 mm from the tabletop) made from a bent and shaped anodized aluminium sheet (fig.6).

Upon request, the version with two cable legs is available.

**Custom-made tables ARE NOT available.**



## DESK frame in natural anodized or polished aluminium

### STRUCTURE

Frame and legs in natural anodized or polished aluminium. Concealed joint, a patent from MDF Italia. An equipment-supporting bar made of aluminium-lacquered steel.

Height 75 cm.

### TOPS

All tops are built-in and need no fittings. They are approx. 9 mm thick and come in:

- **Matt Keramik**

Made of a glass panel and a satin-finished 3 mm thick ceramic plate in white, anthracite grey, light grey or medium grey, patent from MDF Italia (Patent pending).

The tabletops with the small opening consist of a panel made up of two coupled plates of ceramic, thickness approx. 7mm

**For the technical specifications of laminated ceramic, please see on page 4.13.**

- **Lacquered tempered glass**

Made of tempered lacquered glass in orange, black, light grey, red, yellow, green, white.

- **HPL**

A high-pressure melamine laminate with structural aluminium sheets inside.

Built-in tabletops, of high stability and flatness, no fittings required.

Thickness 8 mm. White.

The small opening for cable access is flush with the tabletop.

### ACCESSORIES

- **DRAWER CABINETS**

Available in two heights (37.5 and 48.5 cm) and in length 45 cm, always with a depth of 51 cm, these can be with 3 or 4 drawers or with drawers and filing drawers.

**Cabinets and fronts of the drawers are in medium-density wood fibreboards covered both sides with a sheet of aluminium.** The sides are made of steel finished with an aluminium paint, while the bottom is made of melamine-coated poplar tree chipboard with goffered aluminium finish.

Every drawer, on request, has a lock. Locks can be with:

- a universal key for opening any drawer with lock (in different drawer cabinets as well)
  - a cipher key for opening only the drawers in the same drawer cabinet
- Drawers are fitted with fully-extractable Blum guides.

- **CPU CASE thickness 2 mm (vertical only)**

51.8 cm deep, 54.8 cm high, 21.6 cm long. Made from a bent metal sheet of anodized aluminium, thickness 2 mm.

- **CPU CASE thickness 11 mm (vertical only)**

53 cm deep, 52 cm high, 24 cm long. The CPU case is made with medium-density wood fibreboards covered both sides with an aluminium sheet. With three 80 mm holes for a better ventilation on the back.

- **MODESTY PANELS**

Made of anodized aluminium and simply screwed to the legs of the table (pre-drilled).

- **RACEWAY FOR CABLE MANAGEMENT** based on the chosen configuration, a U-shaped raceway of anodized aluminium is available (20x20mm). This can be applied on one or more sides as desired (both in length and width), along the full edge of the table.

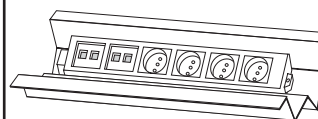
- **CABLE TRAY (additional) for Desk with tabletops for cable management**

only for 200-220 cm long tables (mm 420X170) for single tables (mm 420X236) for face-to-face tables

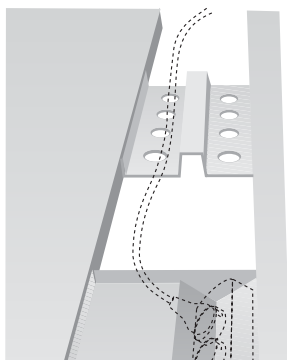
- **OUTLETS TRAY (additional) for Desk with tabletops for cable management**

only for 200-220 cm long tables (mm 420X170) for single tables (mm 420X236) for face-to-face tables

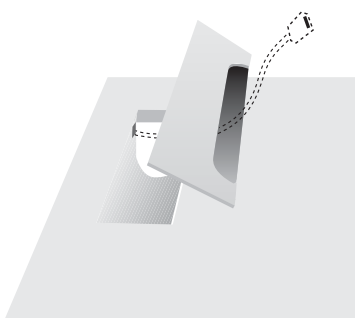
#### How to use the outlets tray



Detail of single table with a tabletop for cable management



Detail of table (with or without shelf) with a small opening for cable access

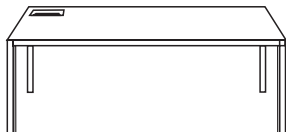


#### note

The material can have slight impurities, due to the particular production treatments, still accepted quality standards are complied with.

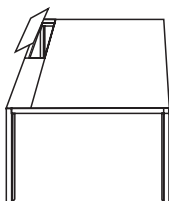
The quality of all tops is tested before delivery. Assembly instructions and tips for cleaning and maintenance are included.

PRICE FOR FRAME + TOP:

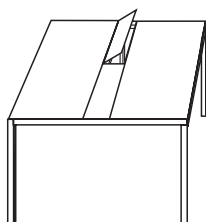
misura cm	codice	lacquered glass		HPL	keramik	
		white/orange	other col.		white	other col.
<b>TABLE *</b> with a small opening and one leg for cable management	<b>80 x 160</b>	0307-024-OX				
	<b>80 x 180</b>	0307-025-OX				
	<b>80 x 200</b>	0307-026-OX				
	<b>80 x 220</b>	0307-027-OX				
	<b>90 x 160</b>	0307-032-OX				
	<b>90 x 180</b>	0307-033-OX				
	<b>90 x 200</b>	0307-034-OX				
	<b>90 x 220</b>	0307-035-OX				

Extra charge for additional leg for cable management

<b>TABLE</b> with tabletops and two legs for cable management	<b>90 x 160</b>	0307-032-OX				
	<b>90 x 180</b>	0307-033-OX				
	<b>90 x 200</b>	0307-034-OX				
	<b>90 x 220</b>	0307-035-OX				

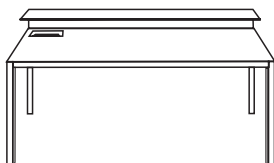


<b>FACE-TO-FACE TABLE</b> with tabletops and two legs for cable management	<b>160 x 160</b>	0307-186-OX				
	<b>160 x 180</b>	0307-188-OX				
	<b>160 x 200</b>	0307-094-OX				
	<b>160 x 220</b>	0307-189-OX				
	<b>180 x 240</b>	0307-190-OX				



<b>TABLE *</b> with a small opening, one leg for cable management and shelf	<b>80 x 160</b>	0307-024-OX				
	<b>90 x 160</b>	0307-032-OX				

Extra charge for additional leg for cable management



note

\* In the purchase order, please specify if leg for cable management is left or right.



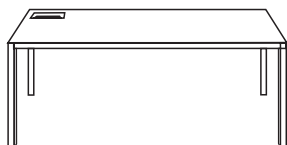
**DESK** frame in polished aluminium

**PRICE FOR FRAME + TOP:**

misura cm	codice	lacquered glass		HPL	keramik	
		white/orange	other col.		white	other col.

**TABLE \***  
with a small opening and one leg for cable management

<b>80 x 160</b>	0307-024-BR
<b>80 x 180</b>	0307-025-BR
<b>80 x 200</b>	0307-026-BR
<b>80 x 220</b>	0307-027-BR

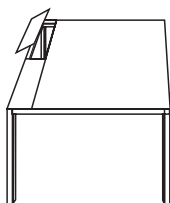


<b>90 x 160</b>	0307-032-BR
<b>90 x 180</b>	0307-033-BR
<b>90 x 200</b>	0307-034-BR
<b>90 x 220</b>	0307-035-BR

**Extra charge for additional leg for cable management**

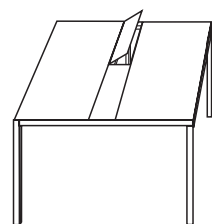
**TABLE**  
with tabletops and two legs for cable management

<b>90 x 160</b>	0307-032-BR
<b>90 x 180</b>	0307-033-BR
<b>90 x 200</b>	0307-034-BR
<b>90 x 220</b>	0307-035-BR



**FACE-TO-FACE TABLE**  
with tabletops and two legs for cable management

<b>160 x 160</b>	0307-186-BR
<b>160 x 180</b>	0307-188-BR
<b>160 x 200</b>	0307-094-BR
<b>160 x 220</b>	0307-189-BR

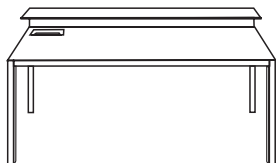


<b>180 x 240</b>	0307-190-BR
------------------	-------------

**TABLE \***  
with a small opening, one leg for cable management and shelf

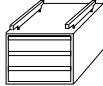
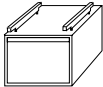
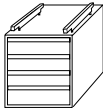
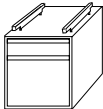
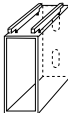
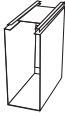
<b>80 x 160</b>	0307-024-BR
<b>90 x 160</b>	0307-032-BR

**Extra charge for additional leg for cable management**



note

\* In the purchase order, please specify if leg for cable management is left or right.


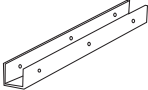
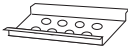



elements	sizes	code
<b>CABINETS WITH DRAWERS height 37.5 cm</b>		
with three drawers H 11.5	length 45 x depth 51 cm	03-04-00021
		
with filing drawer	length 45 x depth 51 cm	03-04-00035
		
<b>CABINETS WITH DRAWERS height 48.5 cm</b>		
with four drawers h 11.5	length 45 x depth 51 cm	03-04-00022
		
with drawer h 11.5 and filing drawer	length 45 x depth 51 cm	03-04-00036
		
<b>COMPUTER CASE thickness 11 mm</b>		
vertical		03-04-00023
		
<b>COMPUTER CASE thickness 2 mm</b>		
vertical		03-04-00020
		
<b>LOCK WITH UNIVERSAL KEY ◆</b>		
		03-01-00048
<b>LOCK WITH CIPHER KEY ◆</b>		
		03-01-00053

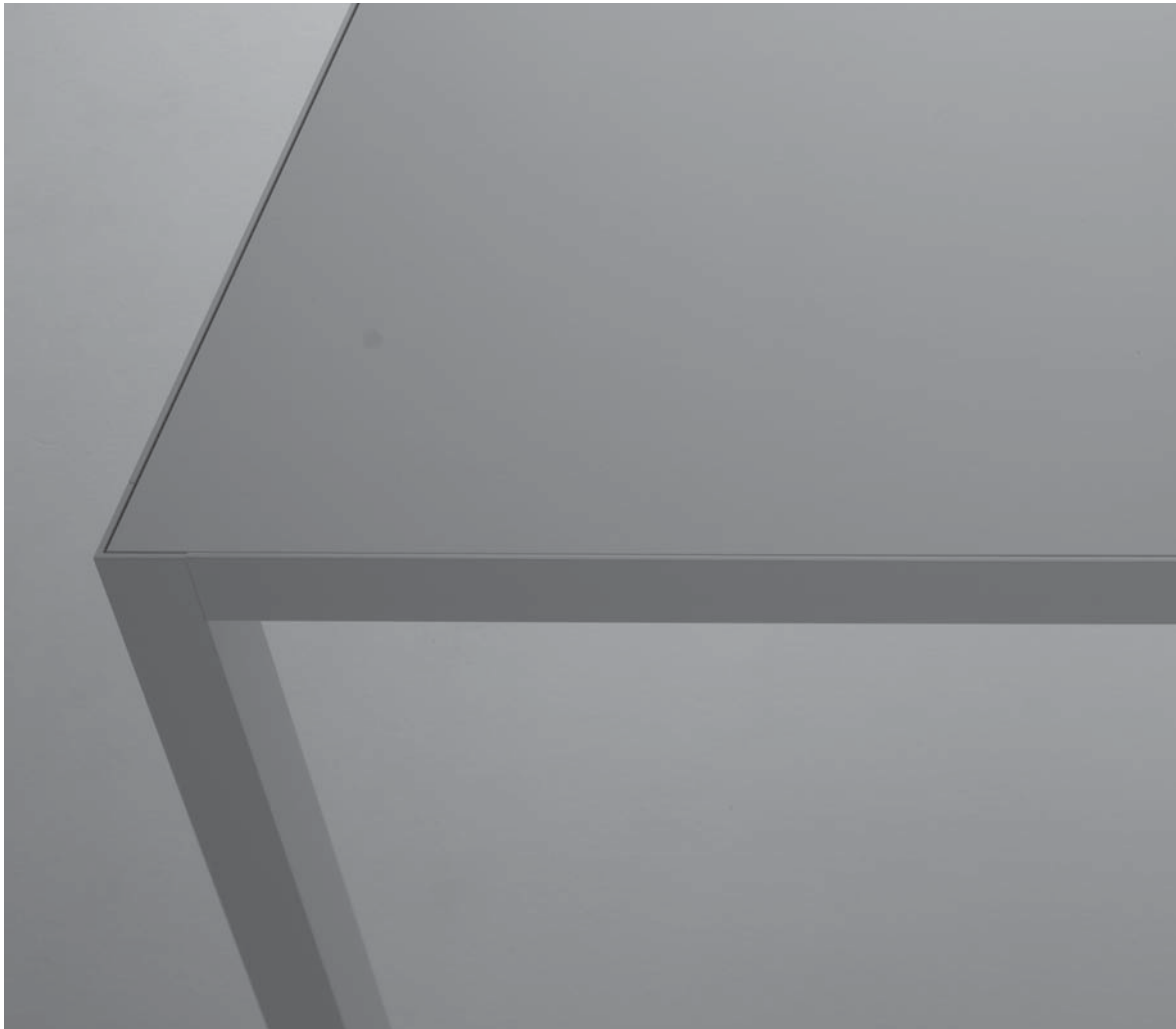
note

◆ Specify on which drawers locks must be fitted.



**DESK accessories**

elements	sizes	code
<b>MODESTY PANELS for tables</b>		
	1479 x 300 mm for 160 table	03-04-00016
	1679 x 300 mm for 180 table	03-04-00017
	1879 x 300 mm for 200 table	03-04-00018
	2079 x 300 mm for 220 table	03-04-00019
<b>RACEWAY FOR CABLE MANAGEMENT 20x20 mm</b>		
	for width 80/90 cm	03-04-00029
	for length 160 cm	03-04-00031
	for length 180 cm	03-04-00032
	for length 200 cm	03-04-00033
	for length 220 cm	03-04-00034
<b>CABLE TRAY (additional) for Desk with tabletops for cable management ▼</b>		
for single tables	420x170 mm	03-04-00025
		
for face-to-face tables	420x236 mm	03-04-00026
		
<b>OUTLETS TRAY (additional) for Desk with tabletops for cable management ▼</b>		
for single tables	420x170 mm	03-04-00027
		
for face-to-face tables	420x236 mm	03-04-00028
		
<b>note</b>		
▼ Only for tables longer than 200 cm		



Desks, tables, coffee tables and benches



**TABLES AND COFFEE TABLES**

**TECHNICAL SPECIFICATIONS OF LAMINATED CERAMIC**

**CATAS TESTS PERFORMED ON CERAMIC**

**KERAMIK  
LIM 04  
DESK  
EDGAR II  
RA 07  
T TABLE**

Laminated ceramic features uniquely peculiar technical characteristics thanks to the innovative methods of ceramic treatment and production (laminated-porcelainized thin gres).

- Extreme surface hardness (comparable to topaz) and high bending strength.
- Resistant to stains, water, detergents and acids.
- Not inflammable, reaction to fire : class 0.
- Inalterability of the chromatic characteristics.
- It doesn't release toxic substances and there is no warping if heated with open flame

- fastness to light UNI 9427/89
- resistance to cold liquids EN 12720/97
- tendency to hold dirt UNI 9300/88 and FA276/89
- scratch resistance UNI9428/89
- reaction of surfaces to detergents PTP53/95

Other tests related to technical characteristics:

- fire resistance, wearproof, hardness resistance, abrasion resistance and water absorption resistance