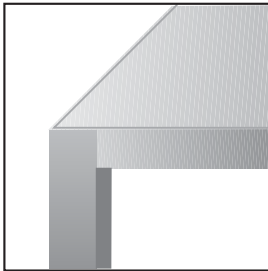




H 72 - 75

A "family" of tables and consoles characterized by the top in laminated ceramic. Suitable for outdoor use



STRUCTURE

Frame and legs in matt lacquered aluminium, finished in anthracite grey, light grey, medium grey and white. Invisible joints. Suitable for outdoor.

For the outdoor version, the extra charge in the Price list will apply.

Any material left outside, even if properly treated, can have superficial molecular and colour changes during its lifetime. Of course, the amount of alterations is directly related to the amount of exposure to weather and to the geographical area (for ex., high humidity and/or salinity). This is particularly true with lacquered surfaces. The specific tests carried out on the Keramik tables have allowed to define a measurable limit on durability with no alterations. In particular, the corrosion resistance test has proven that no surface alterations are present in the first three years (test UNI ISO 9227/93 by Catas carried out in a chamber with saline fog and exposure time of 500 hours). After this lapse of time, slight alterations may occur, however without affecting the table's functionality.

Such limit is part of the Sales Conditions and it is up to the client whether to accept them or not.

Regular maintenance, for instance periodic cleaning with water, increase resistance to corrosion.

TOPS

The built-in tops are made of glass panels and a plate of laminated ceramic. Thickness 3 mm. Satin finish in anthracite grey, light grey, medium grey and white. A patented panel from MDF Italia (patent pending).

SIZES

Rectangular tables in 12 size options and square tables in 3 size options. Two size options for consoles. Height: 72 or 75 cm. The maximum sizes in the price list are determined by production limitations.

Measurement tolerances: each side of the top is 1 mm smaller than the frame. Tolerances are +/-0,5 mm.

SPECIAL SIZES

Custom-made tables require extra work, consequently additional costs and longer lead time if compared with standard pieces. For lead time, please contact our Sales Department

- In case of top size variation, the price will be calculated on the basis of the next table measurement up from the size ordered plus 30%.
- In case of height variation, the extra charge stands at 15% (max. H 80 cm).

PRICES FOR FRAME + TOP :

size cm	actual sizes in mm	code
43 x 140	425 x 1395	0414-007
43 x 180	425 x 1795	0414-010
80 x 80	795 x 795	0414-021
80 x 120	795 x 1195	0414-022
80 x 140	795 x 1395	0414-023
80 x 160	795 x 1595	0414-024
80 x 180	795 x 1795	0414-025
90 x 90	895 x 895	0414-029
90 x 140	895 x 1395	0414-031
90 x 160	895 x 1595	0414-032
90 x 180	895 x 1795	0414-033
90 x 200	895 x 1995	0414-034
90 x 220	895 x 2195	0414-035
97 x 97	965 x 965	0414-121
97 x 200	965 x 1995	0414-122
97 x 220	965 x 2195	0414-123
97 x 240	965 x 2395	0414-124

Extra charge for outdoor

note

When ordering, please specify the height, the desired finish for frame and top, and if for outdoor use.

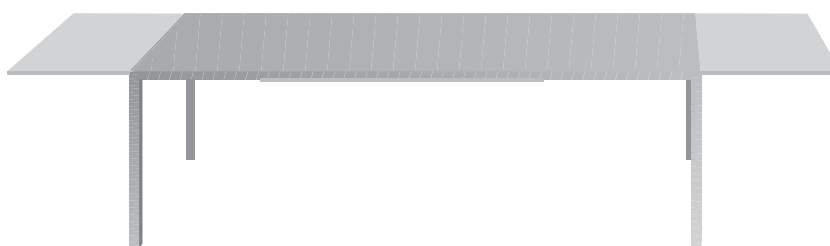
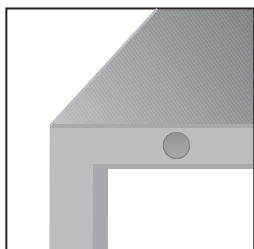
The material can have slight impurities, due to the particular production treatments, still accepted quality standards are complied with.

The quality of all tops is tested before delivery. Assembly instructions and tips for cleaning and maintenance are included.

KERAMIK EXTENSION T *(Designer B.Fattorini)*

H 72 - 75

A family of extendable tables up to 110 cm characterized by the top in laminated ceramic.



EXTENSION T SYSTEM

The system finalized by the MDF Italia Project Team allows to extend the tables up to 110 cm (with 4 extra seats) by means of extractable **chromium-plated steel bars** sliding on bushes.

The additional tabletops, in length 55 cm, fitted into guides under the table frame, are made of **MD wood chipboard veneered in anodized aluminium only**. Provided with a magnetic levelling and safety locking device, a patent from MDF Italia, they are easy to apply to the pulled-out frame (Patent pending).

STRUCTURE AND SIZES

Frame and legs in **matt lacquered aluminium, finished in anthracite grey, light grey, medium grey and white**.

Invisible joints.

Height 72 or 75 cm.

No special sizes available.

The maximum sizes in the price list are determined by production limitations.

With tables in length over 180 cm, the presence of the tensioning device (a patent from MDF Italia) and its adjustment ensure a proper flatness of the worktop and a high capacity load of the frame (patent pending).

NB: all tables are delivered pre-assembled: two bridges (legs and bar in width) and frame (bars with installed tensioning and extension devices).

TOPS

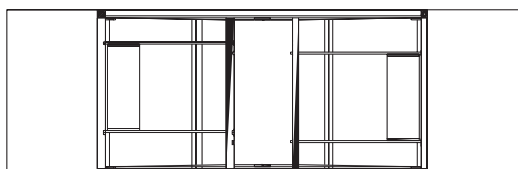
The tops, built-in into the frame, are made of a glass panel and a plate of laminated ceramic. Thickness 3 mm **Satin finish in anthracite grey, light grey, medium grey and white**.

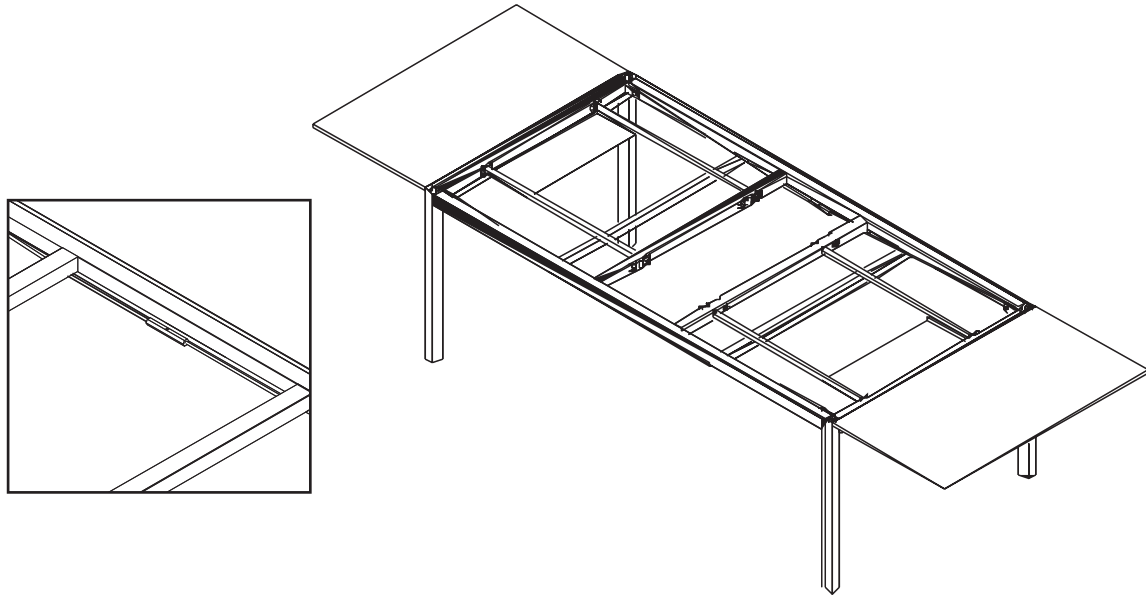
A patented panel from MDF Italia (patent pending).

For the technical specifications of laminated ceramic, please see page on 4.13.

ADDITIONAL TABLETOPS (length 55 cm)

Made of **MD wood chipboard veneered in anodized aluminium only**.





PRICES FOR FRAME + TOP:

size cm	max. extension	No. add tops	code	white	other colours
90 x 140	90 x 195	1	0420-031		
90 x 160	90 x 270	2	0420-032		
90 x 180	90 x 290	2	0420-033		
90 x 200	90 x 310	2	0420-034		
90 x 220	90 x 330	2	0420-035		
90 x 240	90 x 350	2	0420-197		
97 x 140	97 x 195	1	0420-218		
97 x 160	97 x 270	2	0420-219		
97 x 180	97 x 290	2	0420-220		
97 x 200	97 x 310	2	0420-122		
97 x 220	97 x 330	2	0420-123		
97 x 240	97 x 350	2	0420-124		

note

When ordering, please specify the height and the desired finish

The material can have slight impurities, due to the particular production treatments, still accepted quality standards are complied with.
The quality of all tops is tested before delivery. Assembly instructions and tips for cleaning and maintenance are included.



H 72 - 75

A "family" of large-sized tables characterized by the top in laminated ceramic.



STRUCTURE AND SIZES

Frame and legs in matt lacquered aluminium, finished in anthracite grey, light grey, medium grey and white.

Invisible joints.

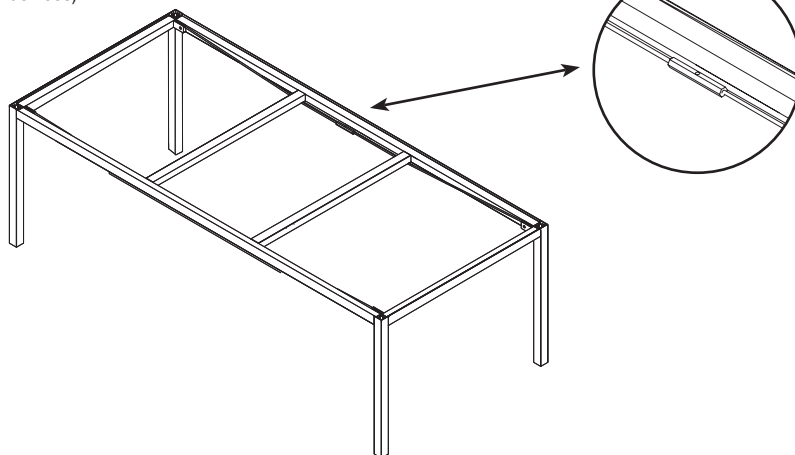
Height 72 or 75 cm.

No special sizes available.

The maximum sizes in the price list are determined by production limitations.

The presence of the tensioning device (a patent from MDF Italia) and its adjustment ensure a proper flatness of the worktop and a high capacity load of the frame (patent pending).

NB: all tables are delivered pre-assembled: two bridges (legs and bar in width) and frame (bars and tensioning devices)



TOPS

The built-in tops are made of a glass panel and a plate of laminated ceramic. Thickness 3 mm . Satin finish in anthracite grey, light grey, medium grey and white.

A patented panel from MDF Italia (patent pending).

No special sizes available.

For the technical specifications of laminated ceramic, please see on page 4.13.

PRICES FOR FRAME + TOP :

size cm	code	other colours	
		white	other colours
90 x 260	0414-036		
90 x 280	0414-037		
90 x 297	0414-038		
97 x 260	0414-215		
97 x 280	0414-216		
97 x 297	0414-217		

note

When ordering, please specify table height and desired finish.

The material can have slight impurities, due to the particular production treatments, still accepted quality standards are complied with.

The quality of all tops is tested before delivery. Assembly instructions and tips for cleaning and maintenance are included.



Desks, tables, coffee tables and benches



TABLES AND COFFEE TABLES

TECHNICAL SPECIFICATIONS OF LAMINATED CERAMIC

CATAS TESTS PERFORMED ON CERAMIC

**KERAMIK
LIM 04
DESK
EDGAR II
RA 07
T TABLE**

Laminated ceramic features uniquely peculiar technical characteristics thanks to the innovative methods of ceramic treatment and production (laminated-porcelainized thin gres).

- Extreme surface hardness (comparable to topaz) and high bending strength.
- Resistant to stains, water, detergents and acids.
- Not inflammable, reaction to fire : class 0.
- Inalterability of the chromatic characteristics.
- It doesn't release toxic substances and there is no warping if heated with open flame

- fastness to light UNI 9427/89
- resistance to cold liquids EN 12720/97
- tendency to hold dirt UNI 9300/88 and FA276/89
- scratch resistance UNI9428/89
- reaction of surfaces to detergents PTP53/95

Other tests related to technical characteristics:

- fire resistance, wearproof, hardness resistance, abrasion resistance and water absorption resistance