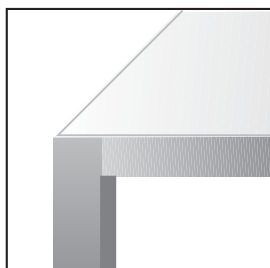




only with
anodized frame

Tables and coffee tables made by combining the aluminium of the frame with a tabletop in LG HI-MACS



Within the large LIM04 family comprising tables and consoles with a frame in anodized or polished aluminium and tabletops in various finishes, a new version with a top in * "LG HI-MACS", mass-pigmented in Alpine White, is now available.

STRUCTURE

Frame and legs in **natural anodized or polished aluminium**. Concealed joints, a patent from MDF Italia.

TOP

The 9 mm thick tabletop is made of * "LG HI-MACS", mass-pigmented in Alpine White. It is built-in into the frame with no need of tools.

SIZES

Available in all sizes of the LIM04 family (except for 200x200 cm):

- Rectangular tables in 15 size options and square tables in 10 size options. Two size options for consoles. Height: 72 or 75 cm.
- Rectangular coffee tables in 15 size options and square ones in 12 size options. Height: 30 or 15 cm.

The maximum sizes in the price list are determined by production limitations. These may be reduced by around 15 mm in length and width in order to better exploit the materials used to make the table tops.

SPECIAL SIZES

Custom-made tables require extra work, consequently additional costs and longer lead time if compared with standard pieces. For lead time, please contact our Sales Department

In case of top size variation, the price will be calculated on the basis of the next table measurement up from the size ordered plus 30%.

OUTDOOR USE

LIM 04 tables and coffee tables with an anodized aluminium frame are suitable for outdoor.

For the outdoor version, the extra charge in the Price list will apply.

Any material left outside, even if properly treated, can have superficial molecular and colour changes during its lifetime. Of course, the amount of alterations is directly related to the amount of exposure to weather and to the geographical area (for ex., high humidity and/or salinity).

Regular maintenance, for instance periodic cleaning with water, increase resistance to corrosion.

*NEW MATERIAL LG HI-MACS

75% of LG HI-Macs is composed of natural minerals and very fine acrylic, mass-pigmented in white. The most advanced production process ensures the highest quality of the surface and high technical performance.

Technical specs:

- It does not absorb: it is non-porous and extremely resistant to stains
- Its colour does not change over years
- It is ecological and hygienic thanks to the acrylic resin
- Easy to repair leaving no trace thanks to its homogeneous composition and mass-pigmentation
- Easy to clean: no special care is required. For everyday cleaning, simply use a damp cloth and a soft cleanser. Tougher stains can be removed using bleaching agent (apply just for 5 minutes and then rinse with a domestic all-purpose cleanser and water); stubborn stains, scratches and small cigarette burns can be removed with an abrasive creamy detergent.

LG HI-Macs is manufactured under the best environmental and quality certifications (ISO 9001 and 14001).

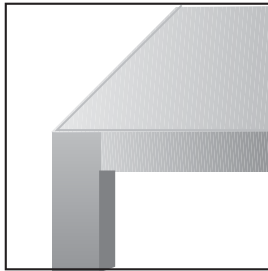


only with
anodized frame
and keramik or
aluminium tops

indoor/outdoor

H 72 - 75

Family of tables and consoles made by combining the aluminium of the frames with several top finishes.



Family of tables and consoles made by combining the anodized or polished aluminium of the frames with several top finishes. Widest innovative option in colours and materials featuring more than 1500 tables in height 72/75: from the innovative satin-finished ceramic tops, (4 colours), to the lacquered glass tops (7 colours), in clear or frosted tempered glass, the ones in anodized aluminium, those in ash grey oak veneer to the newest tabletops made of HPL.

Of highest quality, developed by the MDF Italia research team, they are built-in with no need of fittings.

STRUCTURE

Frame and legs in natural anodized aluminium or polished aluminium.

Invisible joints, a patent from MDF Italia.
Height 72 or 75 cm.

TOPS

The 9 mm thick tops, built-into the frame, are made of:

- **Matt Keramik**

Made of a glass panel and a satin-finished 3 mm thick ceramic plate in **white, anthracite grey, light grey or medium grey**, a patent from MDF Italia (Patent pending).

For the technical specifications of laminated ceramic, please see on page 4.13.

- **Lacquered tempered glass**

Made of **tempered lacquered glass in orange, black, light grey, red, yellow, green and white.**

- **Mirror glass**

Made of 4+4 mm thick safety glass

- **Tempered glass**

8 mm thick clear or frosted glass

- **Natural anodized aluminium**

Made of a sheet of natural anodized aluminium supported by a transparent glass panel. A patent from MDF Italia (Patent pending).

- **Oak**

Made of a panel in **ash grey oak veneer**. The lumber is selected with great accuracy: only the best is used and finished (lapping, compressing, matching and polishing). **The grey oak tops are veneered in pre-lacquered oak wood.** Due to its peculiar characteristics as a natural material, wood can feature differences in the absorption of colour and light which may result in slight variations of tonality.

- **HPL**

A high-pressure stratified melamine laminate with structural aluminium sheets inside. Thickness 8 mm. White. Built-in tabletops of high stability and flatness. No fittings required.

LIM 04 frame in natural anodized or polished aluminium

H 72 - 75

SIZES

Rectangular tables in 15 size options and square tables in 11 size options. Two size options for consoles. Height: 72 or 75 cm. The maximum sizes in the price list are determined by production limitations. These may be reduced by around 15 mm in length and width in order to better exploit the materials used to make the tabletops.

SPECIAL SIZES

Custom-made tables require extra work, consequently additional costs and longer lead time if compared with standard pieces. For lead time, please contact our Sales Department

- **In case of top size variation,** the price will be calculated on the basis of the next table measurement up from the size ordered plus 30%.
- **In case of height variation,** the extra charge stands at 15% (max. H 80 cm).

OUTDOOR USE

Tables with an anodized aluminium frame and an aluminium or ceramic top are suitable for outdoor.

Any material left outside, even if properly treated, can have superficial molecular and colour changes during its lifetime. Of course, the amount of alterations is directly related to the amount of exposure to weather and to the geographical area (for ex., high humidity and/or salinity).

Regular maintenance, for instance periodic cleaning with water, increase resistance to corrosion.

For the outdoor version, the extra charge in the Price list will apply.

frame in natural anodized aluminium

dims cm	actual sizes in mm	code
43 x 140	425x 1395	0415-007-OX
43 x 180	425x 1795	0415-010-OX
80 x 80	795x795	0415-021-OX
80 x 120	795x1195	0415-022-OX
80 x 140	795x1395	0415-023-OX
80 x 160	795x1595	0415-024-OX
80 x 180	795x1795	0415-025-OX
90 x 90	895x895	0415-029-OX
90 x 140	895x1395	0415-031-OX
90 x 160	895x1595	0415-032-OX
90 x 180	895x1795	0415-033-OX
90 x 200	895x1995	0415-034-OX
90 x 220	895x2195	0415-035-OX
97 x 97	965x965	0415-121-OX
97 x 200	965x1995	0415-122-OX
97 x 220	965x2195	0415-123-OX
97 x 240	965x2395	0415-124-OX
100 x 100	995x995	0415-040-OX
100 x 200	995x1995	0415-042-OX
100 x 220	995x2195	0415-043-OX
100 x 240	995x2395	0415-044-OX
110 x 110	1095x1095	0415-049-OX
120 x 120	1195x1195	0415-050-OX
130 x 130	1295x1295	0415-056-OX
140 x 140	1395x1395	0415-057-OX
160 x 160	1595x1595	0415-186-OX
180 x 180	1795x1795	0415-187-OX
200 x 200	1995x1995	0415-097-OX

Extra charge for outdoor

frame in polished aluminium

dims cm	actual sizes in mm	code
43 x 140	425x 1395	0415-007-BR
43 x 180	425x 1795	0415-010-BR
80 x 80	795x795	0415-021-BR
80 x 120	795x1195	0415-022-BR
80 x 140	795x1395	0415-023-BR
80 x 160	795x1595	0415-024-BR
80 x 180	795x1795	0415-025-BR
90 x 90	895x895	0415-029-BR
90 x 140	895x1395	0415-031-BR
90 x 160	895x1595	0415-032-BR
90 x 180	895x1795	0415-033-BR
90 x 200	895x1995	0415-034-BR
90 x 220	895x2195	0415-035-BR
97 x 97	965x965	0415-121-BR
97 x 200	965x1995	0415-122-BR
97 x 220	965x2195	0415-123-BR
97 x 240	965x2395	0415-124-BR
100 x 100	995x995	0415-040-BR
100 x 200	995x1995	0415-042-BR
100 x 220	995x2195	0415-043-BR
100 x 240	995x2395	0415-044-BR
110 x 110	1095x1095	0415-049-BR
120 x 120	1195x1195	0415-050-BR
130 x 130	1295x1295	0415-056-BR
140 x 140	1395x1395	0415-057-BR
160 x 160	1595x1595	0415-186-BR
180 x 180	1795x1795	0415-187-BR
200 x 200	1995x1995	0415-097-BR

note

The material can have slight impurities, due to the particular production treatments, still accepted quality standards are complied with.

The quality of all tops is tested before delivery. Assembly instructions and tips for cleaning and maintenance are included.

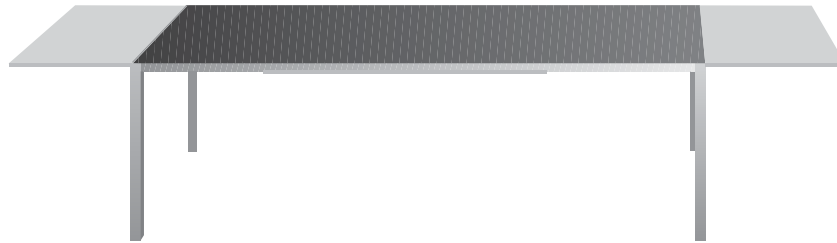
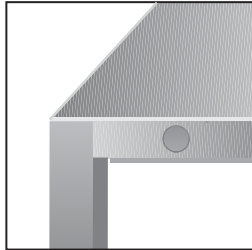
note

The frame of 200 cm large square tables comes with a standard central support bar in aluminium lacquered steel or in the same colour of the frame

When ordering, please specify the height, the desired finish for frame and top, and if for outdoor use.

H 72 - 75

Extendable tables up to 110 cm made by combining the aluminium of the frame with several tabletop finishes.



EXTENSION T SYSTEM

The system finalized by the MDF Italia Project Team allows to extend the tables up to 110 cm (with 4 extra seats) by means of extractable **chromium-plated steel bars** sliding on bushes.

The additional tabletops, in length 55 cm, fitted into guides under the table frame, are made of **MD wood chipboard veneered in anodized aluminium only**. Provided with a magnetic levelling and safety locking device, a patent from MDF Italia, they are easy to apply to the pulled-out frame (Patent pending).

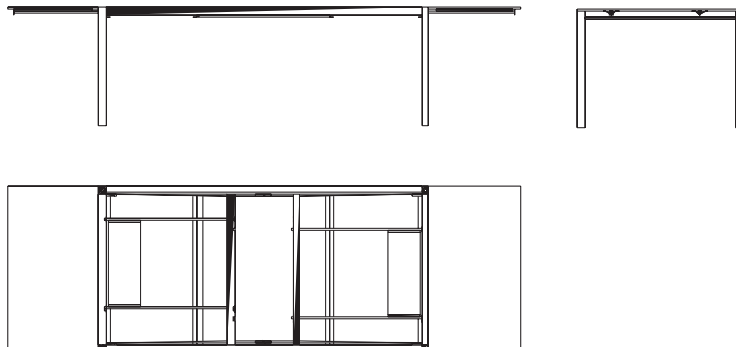
STRUCTURE AND SIZES

Frame and legs in natural anodized aluminium or polished aluminium. Invisible joints, a patent from MDF Italia. Height 72 or 75 cm.

No special sizes available. The maximum sizes in the price list are determined by production limitations.

With tables in length over 180 cm, the presence of the tensioning device (a patent from MDF Italia) and its adjustment ensure a proper flatness of the worktop and a high capacity load of the frame (patent pending).

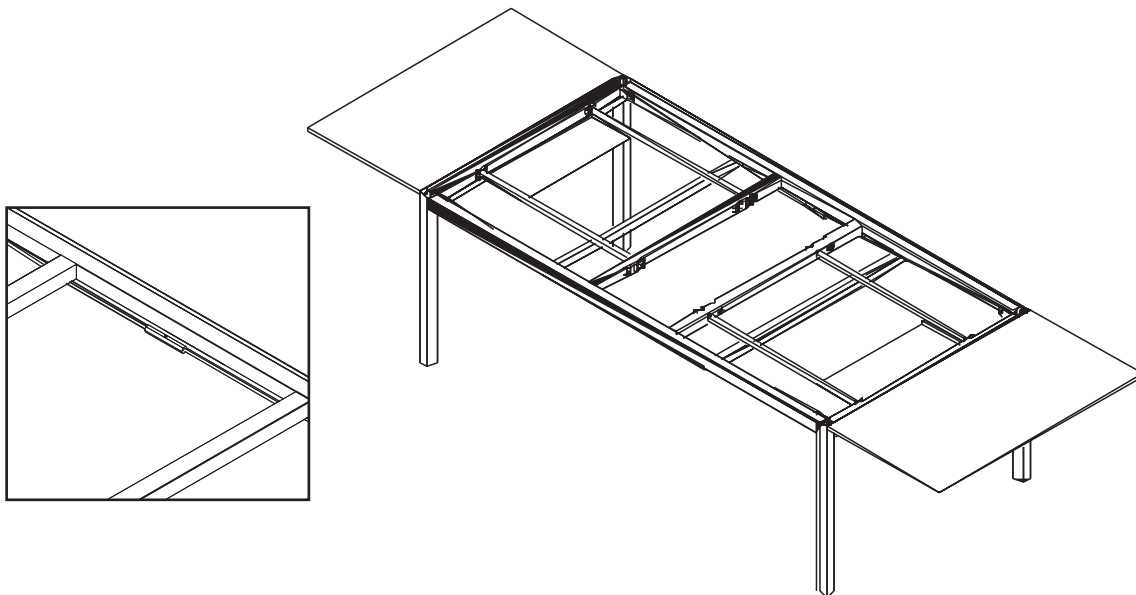
NB: all tables are delivered pre-assembled: two bridges (bars with installed tensioning and extension devices).



Desks, tables, coffee tables and benches



LIM 04 EXTENSION T



TOPS

The 9 mm thick tops, built-into the frame, are made of:

- Matt Keramik**

Made of a glass panel and a satin-finished 3 mm thick ceramic plate in **white, anthracite grey, light grey or medium grey**, a patent from MDF Italia (Patent pending).

For the technical specifications of laminated ceramic, please see on page 4.13.

- Lacquered tempered glass**

Made of **tempered lacquered glass in orange, black, light grey, red, yellow, green and white.**

- Mirror glass**

Made of 4+4 mm thick safety glass

- Natural anodized aluminium**

Made of a sheet of natural anodized aluminium supported by a transparent glass panel. A patent from MDF Italia (Patent pending).

ADDITIONAL TABLETOPS (length 55 cm)

Made of MD wood chipboard veneered in anodized aluminium only.

FRAME

**in natural
anodized
aluminium**

**in polished
aluminium**

size cm	max. extension	No. add tops	code	code
90 x 140	90 x 195	1	0418-031-OX	0418-031-BR
90 x 160	90 x 270	2	0418-032-OX	0418-032-BR
90 x 180	90 x 290	2	0418-033-OX	0418-033-BR
90 x 200	90 x 310	2	0418-034-OX	0418-034-BR
90 x 220	90 x 330	2	0418-035-OX	0418-035-BR
90 x 240	90 x 350	2	0418-197-OX	0418-197-BR
97 x 140	97 x 195	1	0418-218-OX	0418-218-BR
97 x 160	97 x 270	2	0418-219-OX	0418-219-BR
97 x 180	97 x 290	2	0418-220-OX	0418-220-BR
97 x 200	97 x 310	2	0418-122-OX	0418-122-BR
97 x 220	97 x 330	2	0418-123-OX	0418-123-BR
97 x 240	97 x 350	2	0418-124-OX	0418-124-BR
100 x 140	100 x 195	1	0418-221-OX	0418-221-BR
100 x 160	100 x 270	2	0418-222-OX	0418-222-BR
100 x 180	100 x 290	2	0418-041-OX	0418-041-BR
100 x 200	100 x 310	2	0418-042-OX	0418-042-BR
100 x 220	100 x 330	2	0418-043-OX	0418-043-BR
100 x 240	100 x 350	2	0418-044-OX	0418-044-BR

note

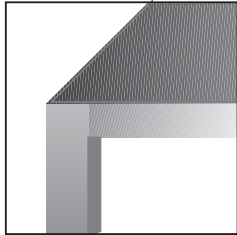
When ordering, please specify the height and the desired finish for frame and top.

*The material can have slight impurities, due to the particular production treatments, still accepted quality standards are complied with.

The quality of all tops is tested before delivery. Assembly instructions and tips for cleaning and maintenance are included.

H 72 - 75

Large-sized tables made by combining the aluminium of the frames with the several finishes of the tabletops.



A family of tables made by combining the anodized or polished aluminium of the frames with several top finishes, from the innovative satin-finished ceramic tops, (4 colours), to the lacquered glass tops (7 colours), to the ones in anodized aluminium and HPL.

Of highest quality, developed by the MDF Italia research team, they are built-in with no need of fittings.

The presence of the tensioning device (a patent from MDF Italia) and its adjustment ensure a proper flatness of the worktop and a high capacity load of the frame (patent pending).

NB: all tables are delivered pre-assembled: two bridges (legs and bar in width) and frame (bars and tensioning devices).

STRUCTURE AND SIZES

Frame and legs in natural anodized aluminium or polished aluminium. Invisible joints, a patent from MDF Italia. Height 72 or 75 cm.

No special sizes available.

The maximum sizes in the price list are determined by production limitations.

TOPS

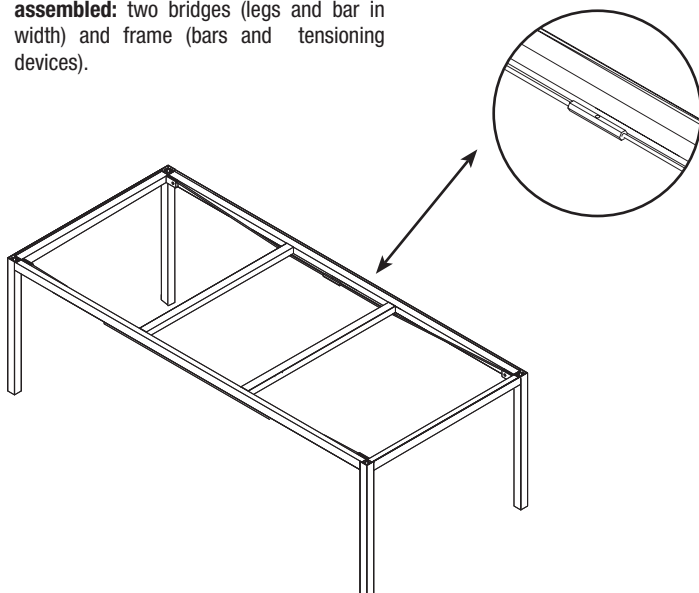
The 9 mm thick tops, built-into the frame, are made of:

- **Matt Keramik**
Made of a glass panel and a satin-finished 3 mm thick ceramic plate in **white, anthracite grey, light grey or medium grey**, a patent from MDF Italia (Patent pending).

For the technical specifications of laminated ceramic, please see on page 4.13.

- **Lacquered tempered glass**
Made of **tempered lacquered glass in orange, black, light grey, red, yellow, green and white.**
- **Mirror glass**
Made of 4+4 mm thick safety glass
- **Natural anodized aluminium**
Made of a sheet of natural anodized aluminium supported by a transparent glass panel. A patent from MDF Italia (Patent pending).
- **HPL**
A high-pressure stratified melamine laminate with structural aluminium sheets inside. Thickness 8 mm. White. Built-in tabletops of high stability and flatness. No fittings required.

No special sizes available.



LIM 04 EXTRA frame in natural anodized or polished aluminium**Frame in NATURAL ANODIZED aluminium, prices for frame + top:**

size cm	code	lacquered glass		mirror glass	aluminium	keramik*		HPL
		white/orange	other colours			white	other colours	
90 x 260	0415-036-OX							
90 x 280	0415-037-OX							
90 x 300 ▲	0415-038-OX							
90 x 320	0415-039-OX							
97 x 260	0415-215-OX							
97 x 280	0415-216-OX							
97 x 297	0415-217-OX							
100 x 260	0415-198-OX							
100 x 280	0415-045-OX							
100 x 300	0415-046-OX							
100 x 320	0415-047-OX							

Frame in POLISHED aluminium, prices for frame + top:

size cm	code	lacquered glass		mirror glass	aluminium	keramik*		HPL
		white/orange	other colours			white	other colours	
90 x 260	0415-036-BR							
90 x 280	0415-037-BR							
90 x 300 ▲	0415-038-BR							
90 x 320	0415-039-BR							
97 x 260	0415-215-BR							
97 x 280	0415-216-BR							
97 x 297	0415-217-BR							
100 x 260	0415-198-BR							
100 x 280	0415-045-BR							
100 x 300	0415-046-BR							
100 x 320	0415-047-BR							

note

When ordering, please specify the height and the desired finish for frame and top.

*The material can have slight impurities, due to the particular production treatments, still accepted quality standards are complied with.

The quality of all tops is tested before delivery. Assembly instructions and tips for cleaning and maintenance are included.

▲ Attention: max. dims for top in keramik 90x297 cm



Desks, tables, coffee tables and benches



TABLES AND COFFEE TABLES

TECHNICAL SPECIFICATIONS OF LAMINATED CERAMIC

CATAS TESTS PERFORMED ON CERAMIC

**KERAMIK
LIM 04
DESK
EDGAR II
RA 07
T TABLE**

Laminated ceramic features uniquely peculiar technical characteristics thanks to the innovative methods of ceramic treatment and production (laminated-porcelainized thin gres).

- Extreme surface hardness (comparable to topaz) and high bending strength.
- Resistant to stains, water, detergents and acids.
- Not inflammable, reaction to fire : class 0.
- Inalterability of the chromatic characteristics.
- It doesn't release toxic substances and there is no warping if heated with open flame

- fastness to light UNI 9427/89
- resistance to cold liquids EN 12720/97
- tendency to hold dirt UNI 9300/88 and FA276/89
- scratch resistance UNI9428/89
- reaction of surfaces to detergents PTP53/95

Other tests related to technical characteristics:

- fire resistance, wearproof, hardness resistance, abrasion resistance and water absorption resistance