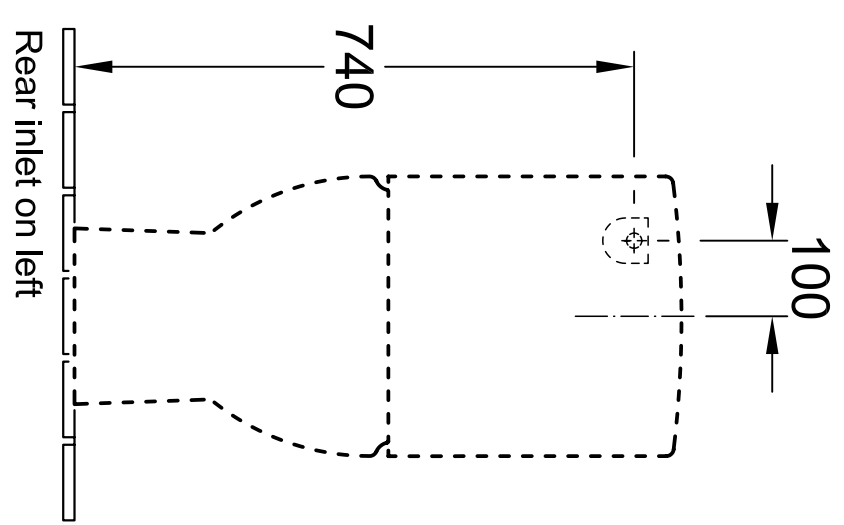
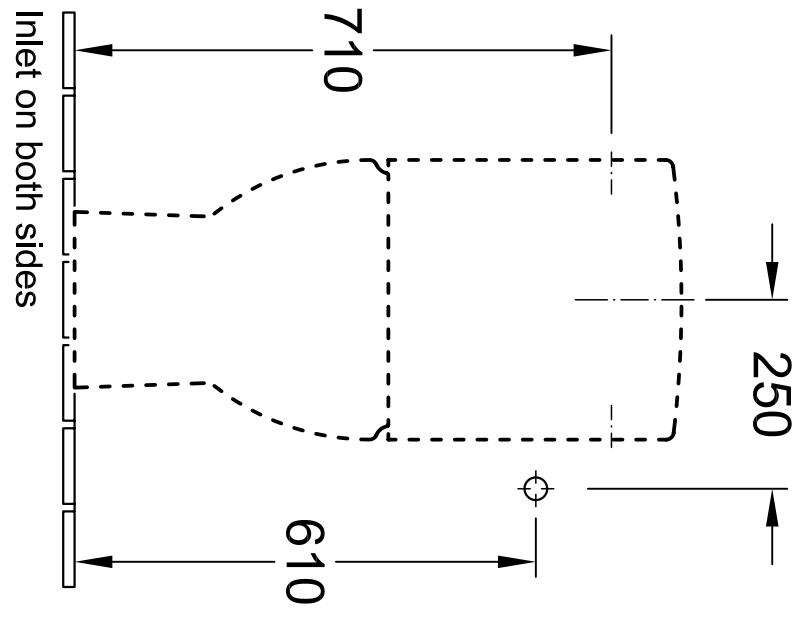
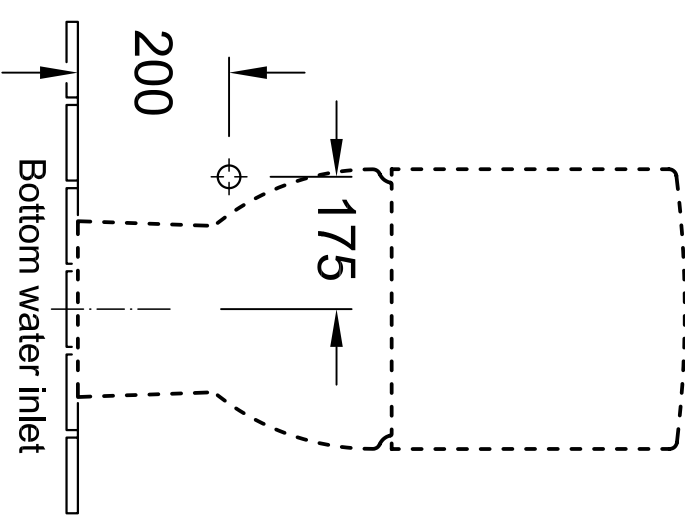


* Adjustment range:
with 8701: 165 to 275 mm
with 8711: 75 to 185 mm



Designation
SUBWAY
6610 10 / NO - WC back-to-wall

Villeroy & Boch

Altered:	27.04.2007	Scale:	1 : 10	This drawing may not be copied or passed on to third parties or competitive companies without our permission. Villeroy & Boch accepts no liability whatsoever for these data and technical drawings. Other parties use them at their own risk. The dimensions indicated are not binding. Villeroy & Boch reserves the right to make product changes.
Signed:	HARU			
Date:	11. 2003			