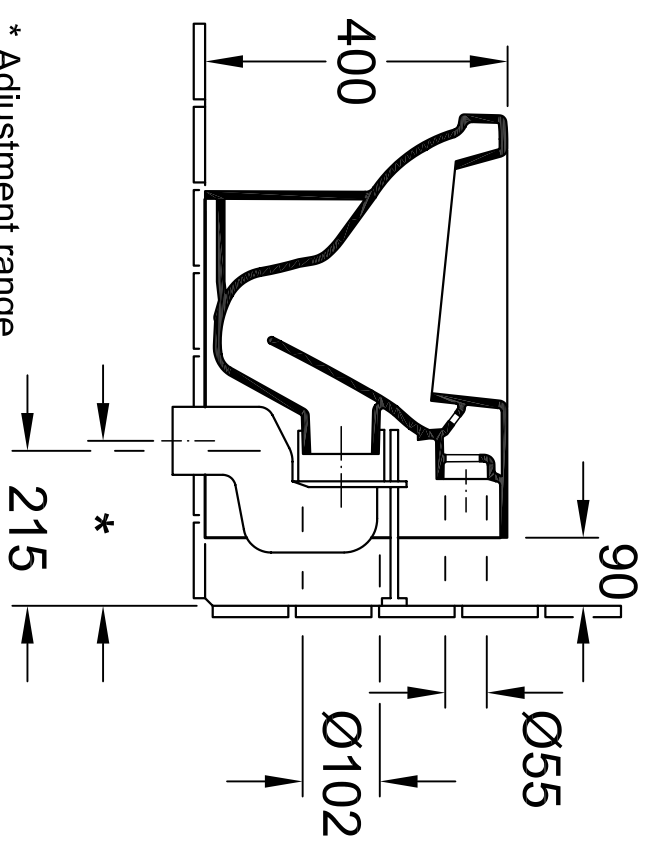
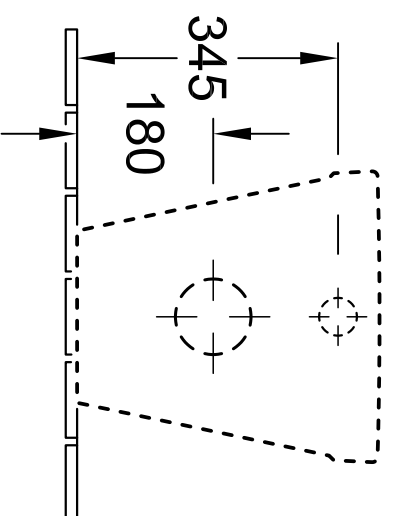
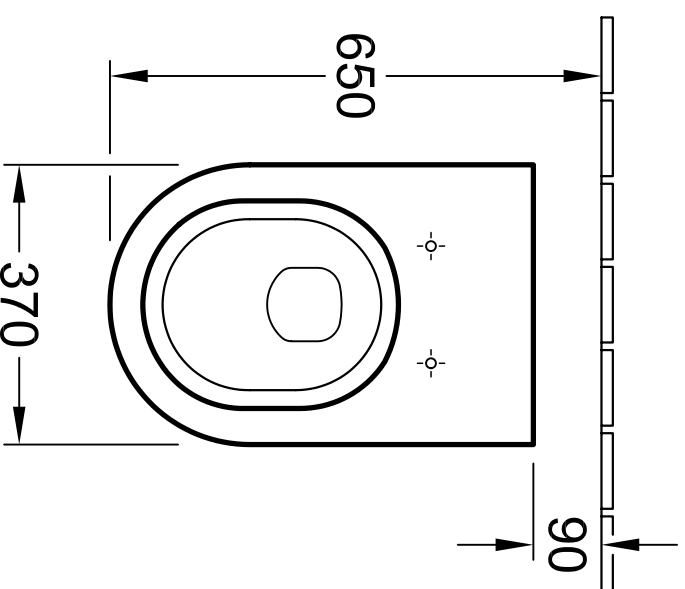


* Adjustment range
with standard 90° bend = 80 mm
with vario drainbend 8701 = 150 mm



* Adjustment range
with 8711: 100 to 200 mm
with 8701: 200 to 280 mm

Designation
OMNIA Architectura
5676 10 - WC back-to-wall

Villeroy & Boch

| | |
|----------|----------|
| Alterer: | Scale: |
| | 1 : 10 |
| Signed: | HARU |
| Date: | 11. 2006 |

This drawing may not be copied or passed on to third parties or competitive companies without our permission. Villeroy & Boch accepts no liability whatsoever for these data and technical drawings. Other parties use them at their own risk. The dimensions indicated are not binding. Villeroy & Boch reserves the right to make product changes.