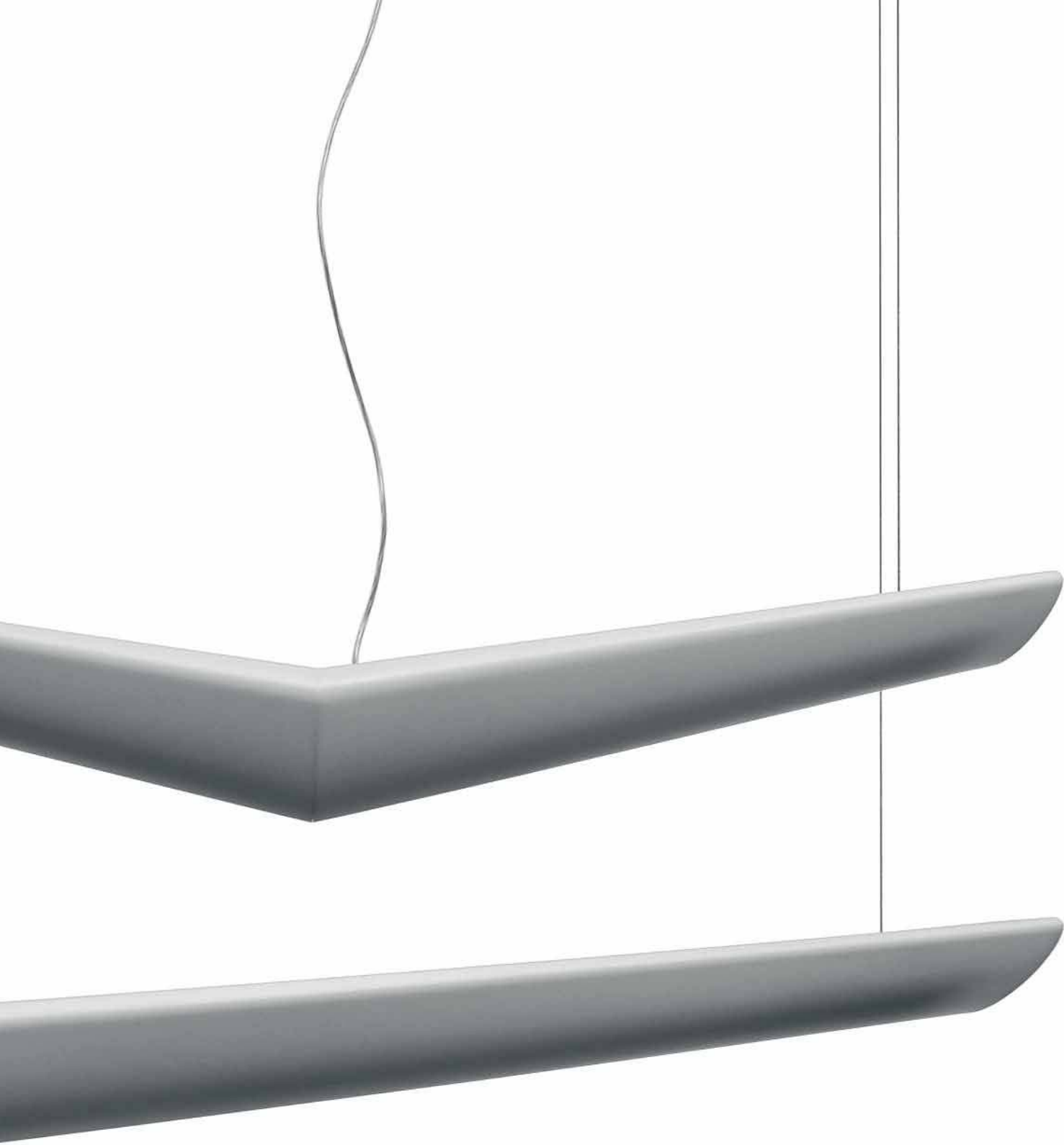


# MOUETTE



- SINGLE PENDANT WITH DIFFUSED LIGHTING USING 24W AND 54W T16 FLUORESCENT LAMPS.
- SOLID OPALINE DIFFUSER IN MOULDED POLYPROPYLENE, AVAILABLE WITH SYMMETRICAL OR ASYMMETRICAL VERSIONS.
- LIGHT OUTPUT RATIO: 55%.
- LIGHT DISTRIBUTION: 74% DIRECT AND 26% INDIRECT.
- ELECTRONIC OR DSI DIMMABLE ELECTRONIC BALLAST.
- THE UPPER PART HAS AN OPENING FOR EASY INSTALLATION AND MAINTAINANCE OF THE LIGHT SOURCES.
- LUMINAIRE COMES COMPLETE WITH QUICK-ADJUSTMENT STEEL SUSPENSION CABLES, CEILING PLATE AND POWER CABLE.
- COMPLIES WITH STANDARD EN60598-1 AND OTHER SPECIFIC STANDARDS.



# MOUETTE

BTC, HAMBURG (D), JAN STÖRNER.




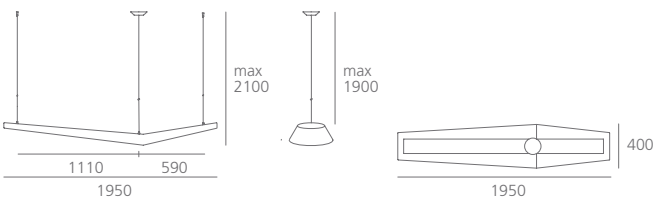
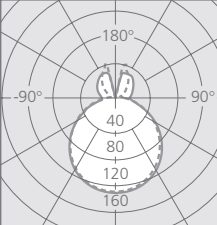





PALAZZO ITALIA, BERLIN (D).




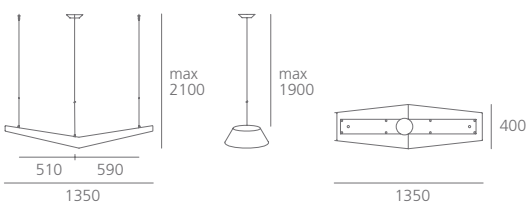
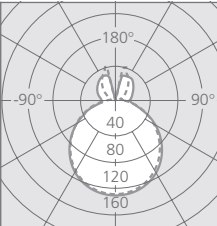





AUTOGRILL FIERAMILANO, PERO (I), STUDIO TORDERA.



## MOUETTE ASYMMETRICAL

			
	<p>   IP20                   white opaline             </p>		
<p>T16 (G5) </p>	<p><b>CODE</b>      <b>LIGHT SOURCE</b>      <b>LENGTH</b>      <b>WEIGHT</b></p>		
	<p><b>L860410</b>    T16 (G5) 2x24W + 2x54W non dimmable</p>	1950mm	6,80kg
	<p><b>L860510</b>    T16 (G5) 2x24W + 2x54W dimmable DSI</p>	1950mm	6,80kg

## MOUETTE SYMMETRICAL

			
	<p>   IP20                   white opaline             </p>		
<p>T16 (G5) </p>	<p><b>CODE</b>      <b>LIGHT SOURCE</b>      <b>LENGTH</b>      <b>WEIGHT</b></p>		
	<p><b>L860610</b>    T16 (G5) 4x24W non dimmable</p>	1350mm	5,40kg
	<p><b>L860710</b>    T16 (G5) 4x24W dimmable DSI</p>	1350mm	5,40kg